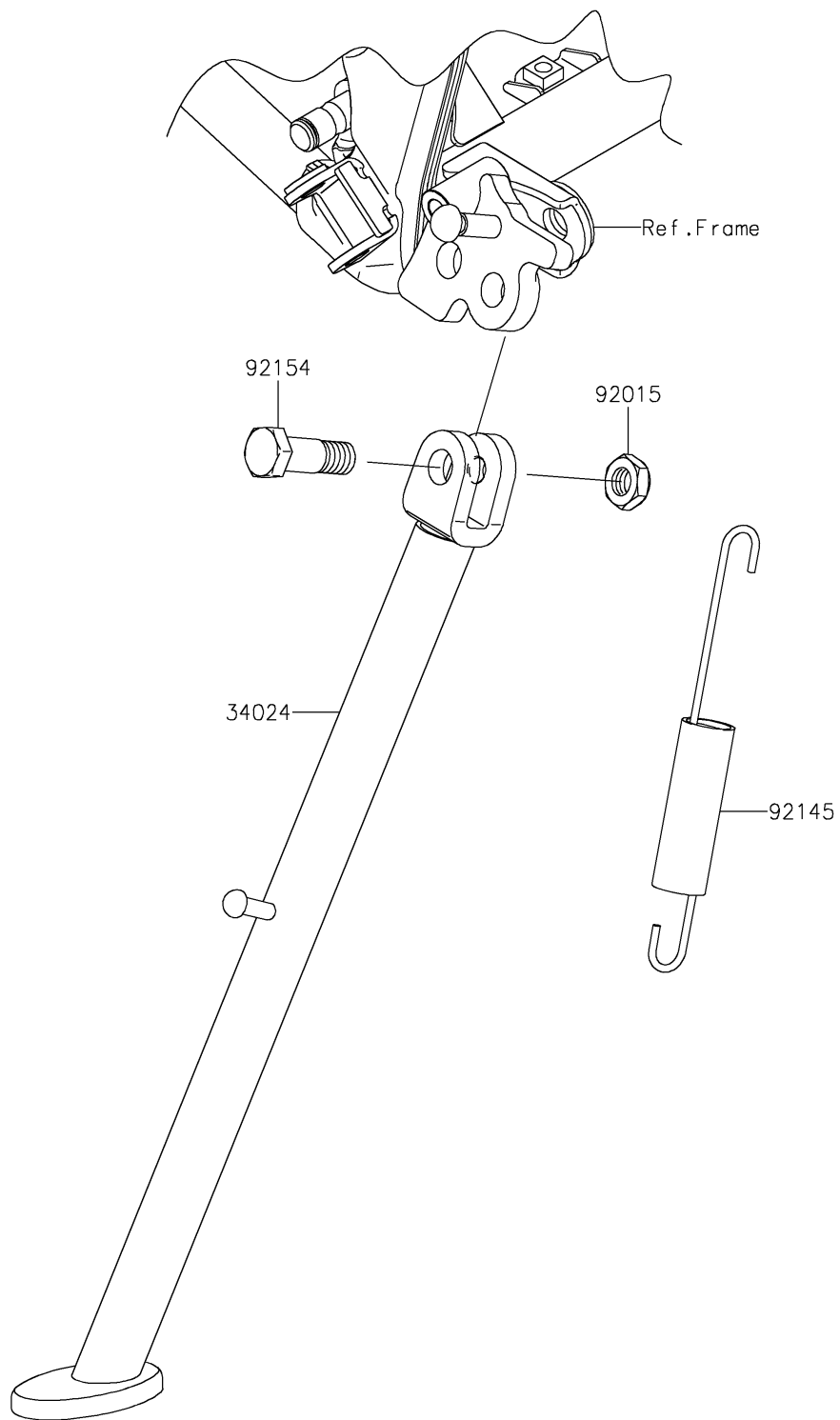


# 2018 KLX<sup>®</sup>140G

## PARTS DIAGRAM

Stand(s)

F2190



# 2018 KLX<sup>®</sup>140G

## PARTS LIST

Stand(s)

**ITEM NAME**

**PART NUMBER**

**QUANTITY**

---