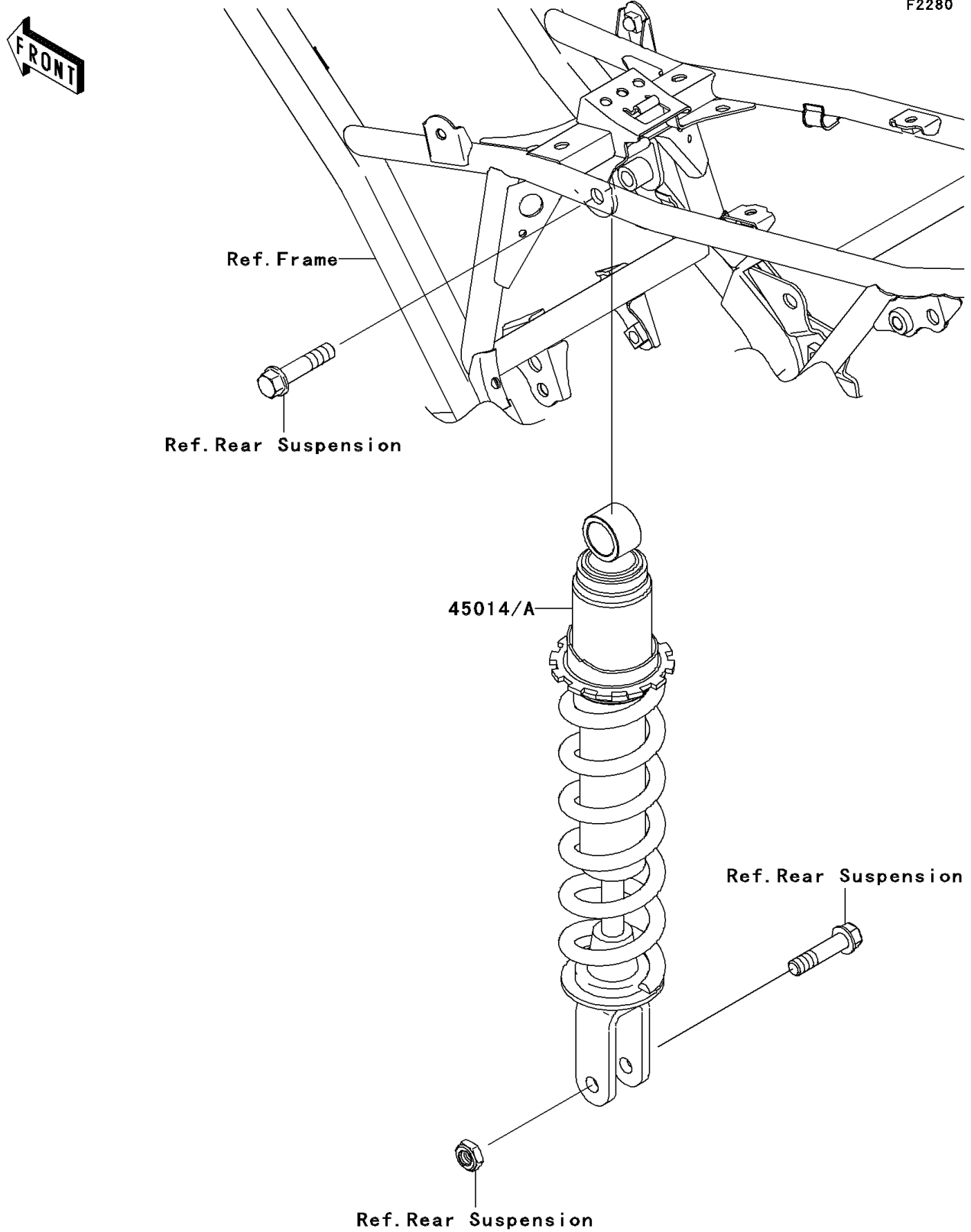


# 2011 KLX<sup>®</sup>140

## PARTS DIAGRAM

### Shock Absorber(s)



# 2011 KLX<sup>®</sup>140

## PARTS LIST

### Shock Absorber(s)

**ITEM NAME**

**PART NUMBER**

**QUANTITY**

---