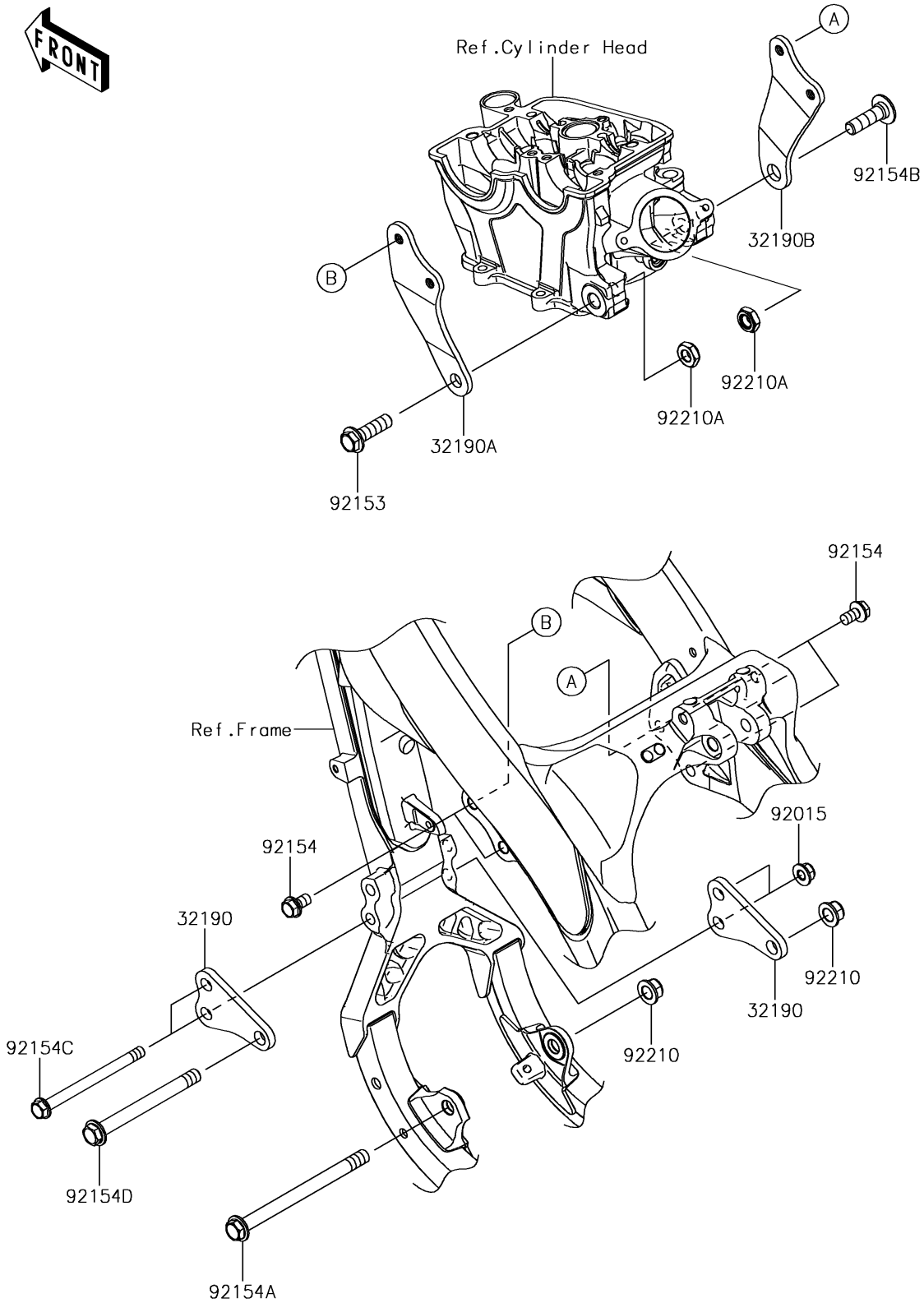


# 2018 KX™ 250F

## PARTS DIAGRAM

### Engine Mount

F2122



# 2018 KX™ 250F

## PARTS LIST

### Engine Mount

| ITEM NAME                            | PART NUMBER | QUANTITY |
|--------------------------------------|-------------|----------|
| BRACKET-ENGINE,FR (Ref # 32190)      | 32190-0714  | 2        |
| BRACKET-ENGINE,UPP,LH (Ref # 32190A) | 32190-0715  | 1        |
| BRACKET-ENGINE,UPP,RH (Ref # 32190B) | 32190-0717  | 1        |
| NUT,8MM (Ref # 92015)                | 92015-1432  | 2        |
| BOLT,FLANGED,10X35 (Ref # 92153)     | 92153-0802  | 1        |
| BOLT,FLANGED,8X14 (Ref # 92154)      | 92154-0380  | 4        |
| BOLT,FLANGED,10X130 (Ref # 92154A)   | 92154-0517  | 1        |
| BOLT,SOCKET,10X35 (Ref # 92154B)     | 92154-2102  | 1        |
| BOLT,FLANGED,8X102 (Ref # 92154C)    | 92154-2155  | 2        |
| BOLT,FLANGED,10X104 (Ref # 92154D)   | 92154-2156  | 1        |
| NUT,LOCK,FLANGED,10MM (Ref # 92210)  | 92210-1080  | 2        |
| NUT,LOCK,10MM (Ref # 92210A)         | 92210-1184  | 2        |