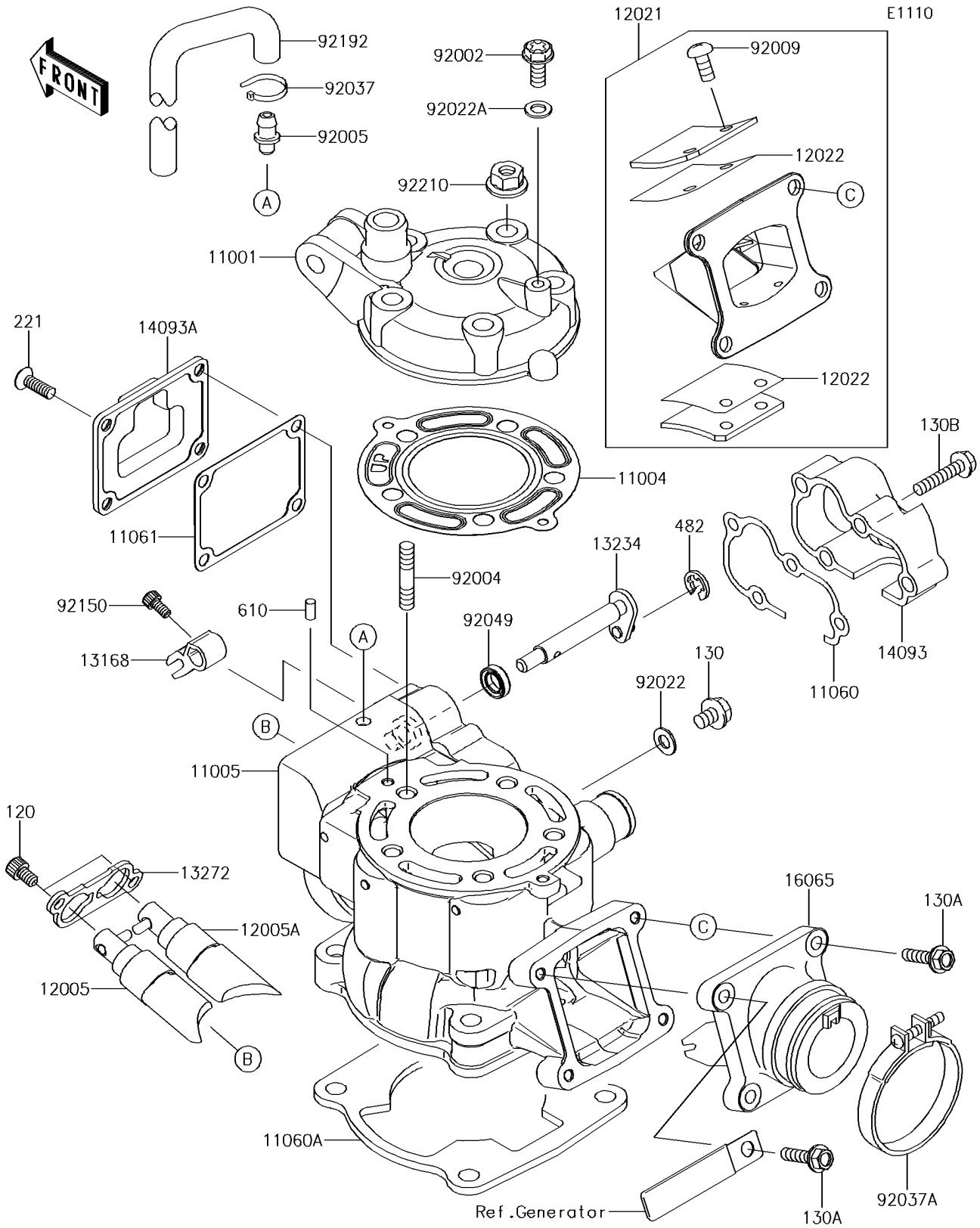


2018 KX™100

PARTS DIAGRAM

Cylinder Head/Cylinder



2018 KX™100

PARTS LIST

Cylinder Head/Cylinder

| ITEM NAME | PART NUMBER | QUANTITY |
|-------------------------------------|-------------|----------|
| HEAD-CYLINDER (Ref # 11001) | 11001-0774 | 1 |
| GASKET-HEAD (Ref # 11004) | 11004-0739 | 1 |
| CYLINDER-ENGINE (Ref # 11005) | 11005-0626 | 1 |
| GASKET,GOVERNOR COVER (Ref # 11060) | 11060-1778 | 1 |
| GASKET,CYLINDER BASE (Ref # 11060A) | 11060-1779 | 1 |
| GASKET (Ref # 11061) | 11061-0889 | 1 |
| BOLT-SOCKET,5X10 (Ref # 120) | 120CA0510 | 2 |
| VALVE-EXHAUST (Ref # 12005) | 12005-0731 | 1 |
| VALVE-EXHAUST (Ref # 12005A) | 12005-0733 | 1 |
| VALVE-ASSY-REED (Ref # 12021) | 12021-1123 | 1 |
| VALVE-REED (Ref # 12022) | 12022-1084 | 2 |
| BOLT-FLANGED,6X8 (Ref # 130) | 130AA0608 | 1 |
| BOLT-FLANGED,5X20 (Ref # 130A) | 130BA0520 | 4 |
| BOLT-FLANGED,5X25 (Ref # 130B) | 130BA0525 | 4 |
| LEVER (Ref # 13168) | 13168-0779 | 1 |
| SHAFT-COMP (Ref # 13234) | 13234-0048 | 1 |
| PLATE (Ref # 13272) | 13272-1450 | 1 |
| COVER (Ref # 14093) | 14093-0003 | 1 |
| COVER (Ref # 14093A) | 14093-0046 | 1 |
| HOLDER-CARBURETOR (Ref # 16065) | 16065-1372 | 1 |
| SCREW-CSK-CROS,5X12 (Ref # 221) | 221AA0512 | 4 |
| CIRCLIP-TYPE-E,5MM (Ref # 482) | 482J5000 | 1 |
| ROLLER,4X8 (Ref # 610) | 610A0408 | 2 |
| BOLT,6X10 (Ref # 92002) | 92002-1222 | 1 |
| STUD,8X33 (Ref # 92004) | 92004-1253 | 5 |
| FITTING (Ref # 92005) | 92005-0050 | 1 |
| SCREW,REED VALVE (Ref # 92009) | 92009-1014 | 4 |
| WASHER,6.1X12X1 (Ref # 92022) | 92022-077 | 1 |
| WASHER,6.2X11X1 (Ref # 92022A) | 92022-304 | 1 |

2018 KX™100

PARTS LIST

Cylinder Head/Cylinder

| ITEM NAME | PART NUMBER | QUANTITY |
|---------------------------------|-------------|----------|
| CLAMP (Ref # 92037) | 92037-1173 | 1 |
| CLAMP (Ref # 92037A) | 92037-1843 | 1 |
| SEAL-OIL,SD088144 (Ref # 92049) | 92049-1238 | 1 |
| BOLT,SOCKET,4X8 (Ref # 92150) | 92150-1888 | 1 |
| TUBE,L=426.3 (Ref # 92192) | 92192-0265 | 1 |
| NUT,8MM (Ref # 92210) | 92210-0076 | 5 |