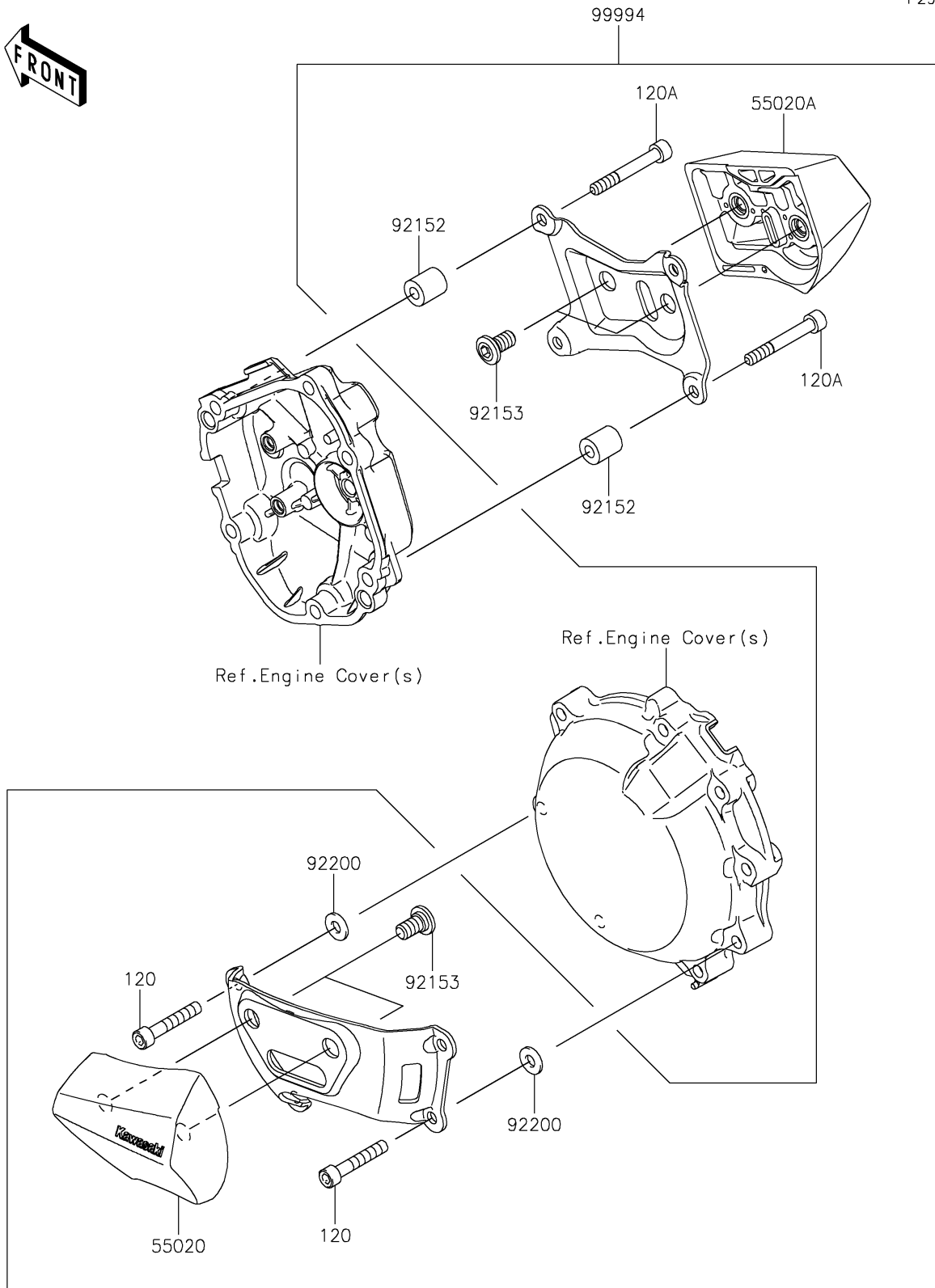


2019 NINJA[®] ZX[™]-10RR

PARTS DIAGRAM

Accessory

F2910



2019 NINJA® ZX™-10RR

PARTS LIST

Accessory

| ITEM NAME | PART NUMBER | QUANTITY |
|------------------------------------|-------------|----------|
| BOLT-SOCKET,6X35 (Ref # 120) | 120CC0635 | 4 |
| BOLT-SOCKET,6X45 (Ref # 120A) | 120CC0645 | 4 |
| GUARD,ENGINE,LH (Ref # 55020) | 55020-0595 | 1 |
| GUARD,ENGINE,RH (Ref # 55020A) | 55020-0596 | 1 |
| COLLAR,6.5X14X16 (Ref # 92152) | 92152-0940 | 4 |
| BOLT,SOCKET,8X15 (Ref # 92153) | 92153-1810 | 4 |
| WASHER,6.5X14.5X1.5 (Ref # 92200) | 92200-3775 | 4 |
| KIT-ACCESSORY,SLIDER (Ref # 99994) | 99994-0210 | 1 |