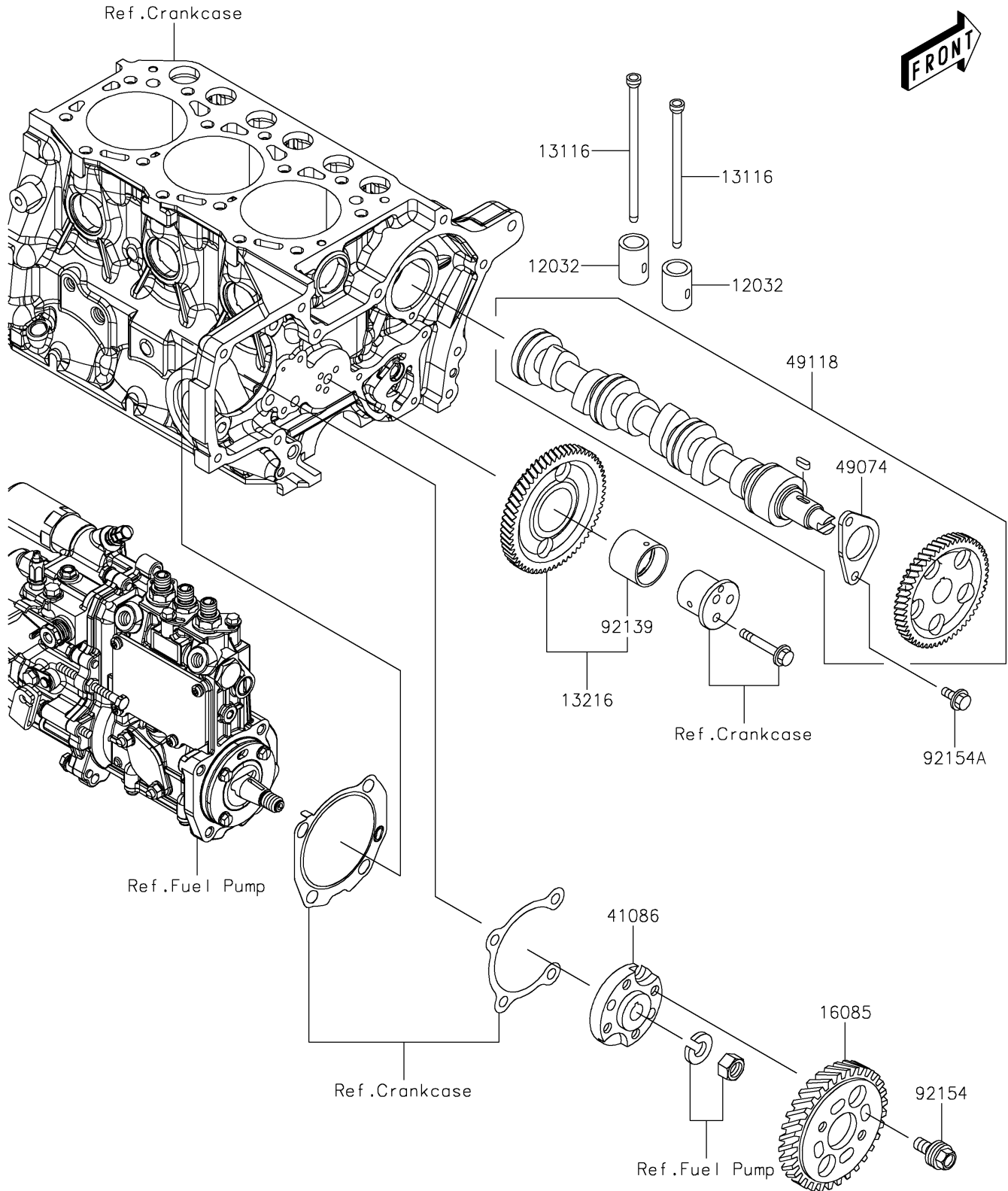


# 2019 MULE PRO-DXT™ EPS LE

## PARTS DIAGRAM

### Valve(s)/Camshaft(s)

E1211



# 2019 MULE PRO-DXT™ EPS LE

## PARTS LIST

### Valve(s)/Camshaft(s)

| ITEM NAME                        | PART NUMBER | QUANTITY |
|----------------------------------|-------------|----------|
| TAPPET (Ref # 12032)             | 12032-0021  | 6        |
| ROD-PUSH (Ref # 13116)           | 13116-0726  | 6        |
| GEAR-COMP,IDLE (Ref # 13216)     | 13216-0889  | 1        |
| GEAR,PUMP (Ref # 16085)          | 16085-0648  | 1        |
| FLANGE (Ref # 41086)             | 41086-0723  | 1        |
| PLATE-THRUST (Ref # 49074)       | 49074-0004  | 1        |
| CAMSHAFT-COMP (Ref # 49118)      | 49118-0864  | 1        |
| BUSHING,IDLE GEAR (Ref # 92139)  | 92139-0863  | 1        |
| BOLT (Ref # 92154)               | 92154-1996  | 4        |
| BOLT,FLANGED,6X12 (Ref # 92154A) | 92154-1998  | 2        |