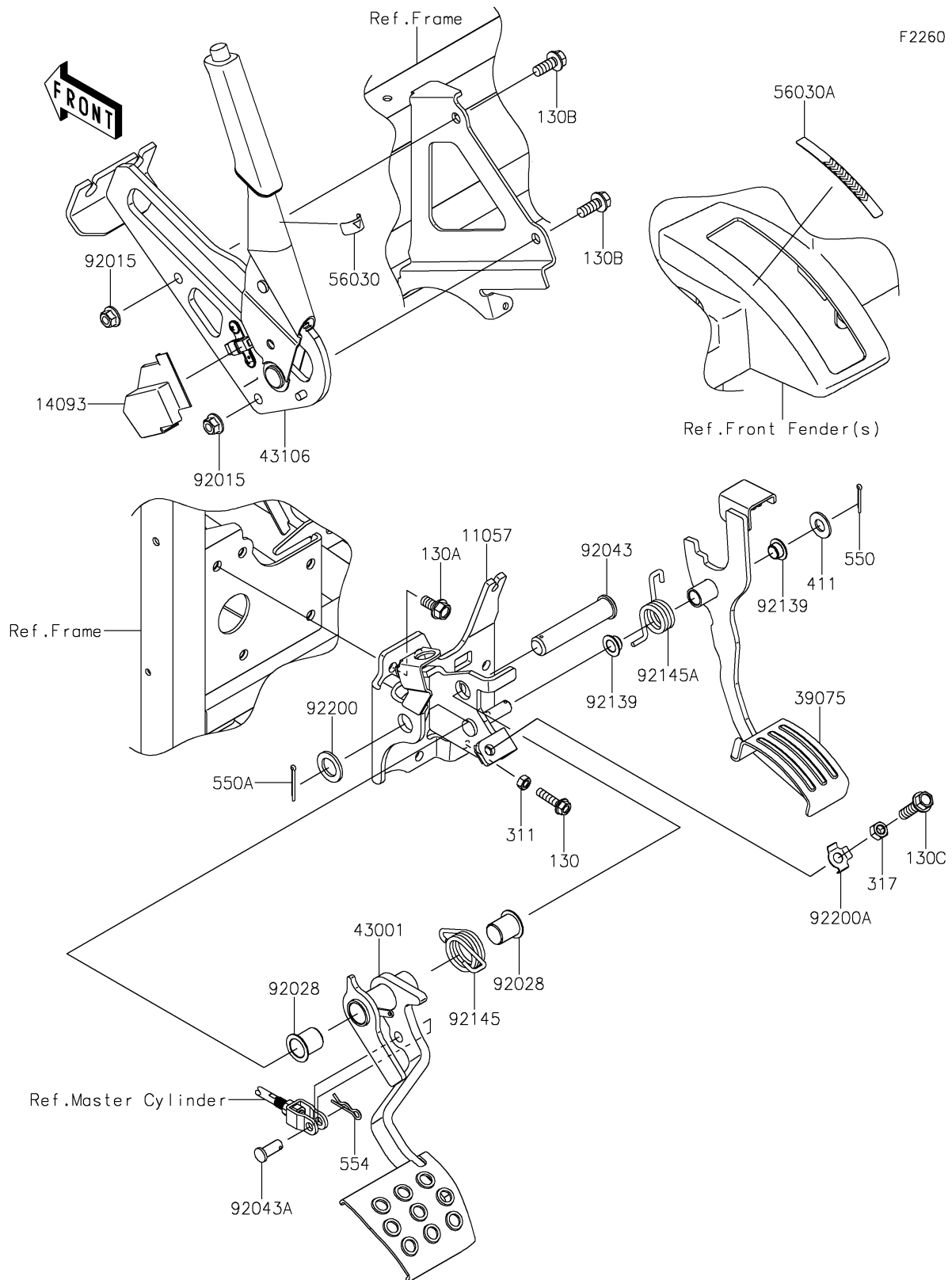


# 2019 MULE PRO-DXT™ EPS LE

## PARTS DIAGRAM

### Brake Pedal/Throttle Lever



# 2019 MULE PRO-DXT™ EPS LE

## PARTS LIST

Brake Pedal/Throttle Lever

**ITEM NAME**

**PART NUMBER**

**QUANTITY**

---