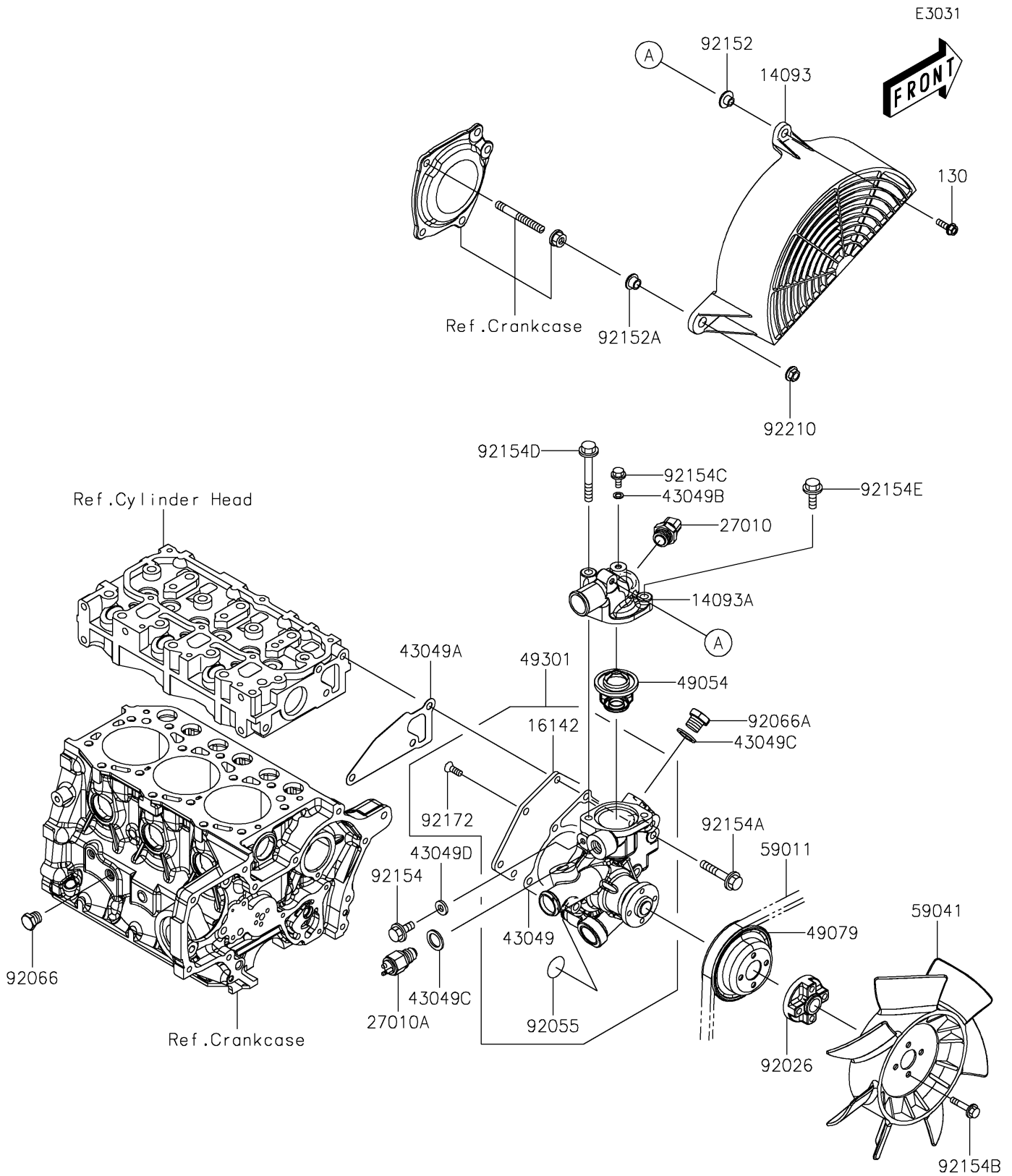


# 2019 MULE PRO-DXT™ EPS LE

## PARTS DIAGRAM

### Water Pump



# 2019 MULE PRO-DXT™ EPS LE

## PARTS LIST

### Water Pump

**ITEM NAME**

**PART NUMBER**

**QUANTITY**

---