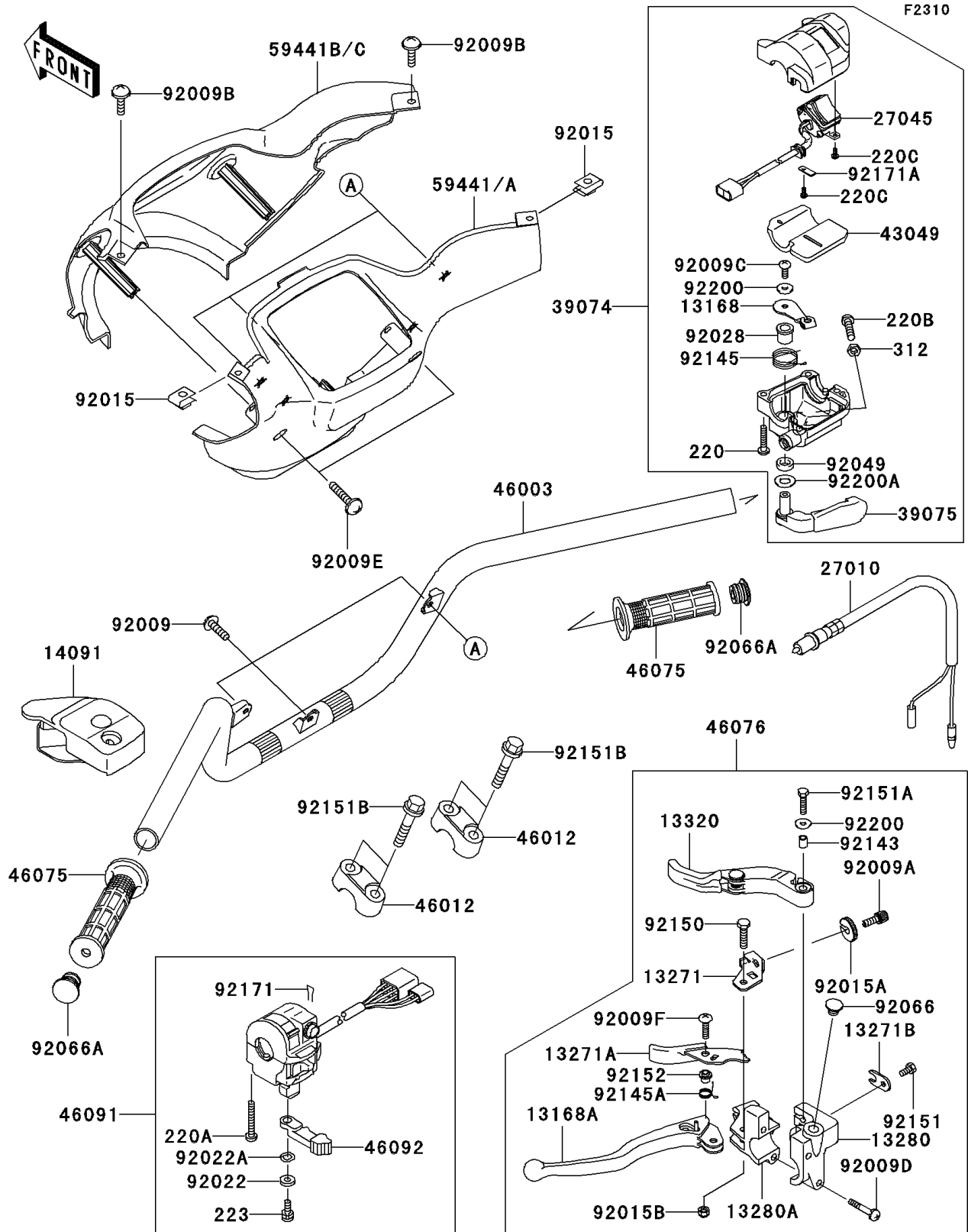


2002 Prairie 650 4X4

PARTS DIAGRAM

Handlebar



2002 Prairie 650 4X4

PARTS LIST

Handlebar

ITEM NAME	PART NUMBER	QUANTITY
LEVER (Ref # 13168)	13168-1715	1
LEVER,LH (Ref # 13168A)	13168-1736	1
PLATE,LOCK (Ref # 13271)	13271-1259	1
PLATE,LEVER LOCK (Ref # 13271A)	13271-1635	1
PLATE,WIRE OUTER STOPPER (Ref # 13271B)	13271-1636	1
HOLDER,DIFF LOCK LEVER (Ref # 13280)	13280-1226	1
HOLDER,LEVER,LH (Ref # 13280A)	13280-1227	1
LEVER-ASSY,DEFF LOCK (Ref # 13320)	13320-1018	1
COVER,DIFF LOCK LEVER (Ref # 14091)	14091-1403	1
SWITCH,BRAKE (Ref # 27010)	27010-1294	1
SWITCH-ASSY (Ref # 27045)	27045-1081	1
LEVER-ASSY-THROTTLE (Ref # 39074)	39074-1062	1
LEVER-THROTTLE (Ref # 39075)	39075-1062	1
PACKING (Ref # 43049)	43049-1088	1
HANDLE (Ref # 46003)	46003-1566	1
HOLDER-HANDLE (Ref # 46012)	46012-1168	2
GRIP (Ref # 46075)	46075-1056	2
LEVER-ASSY-GRIP,DEFF LOCK (Ref # 46076)	46076-1238	1
HOUSING-ASSY-CONTROL,LH (Ref # 46091)	46091-1847	1
LEVER-GRIP,CHOKE (Ref # 46092)	46092-1217	1
COVER-HANDLE,RR,H.GREEN (Ref # 59441)	59441-1150-6A	1
COVER-HANDLE,RR,F.RED (Ref # 59441A)	59441-1150-6L	1
COVER-HANDLE,FR,H.GREEN (Ref # 59441B)	59441-1159-6A	1
COVER-HANDLE,FR,F.RED (Ref # 59441C)	59441-1159-6L	1
SCREW,TAPPING,5X14 (Ref # 92009)	92009-1197	3
SCREW,CABLE ADJUST,8MM (Ref # 92009A)	92009-1435	1
SCREW,5X12 (Ref # 92009B)	92009-1652	2
SCREW (Ref # 92009C)	92009-1959	1
SCREW,6X30 (Ref # 92009D)	92009-1961	2

2002 Prairie 650 4X4

PARTS LIST

Handlebar

ITEM NAME	PART NUMBER	QUANTITY
SCREW,TAPPING,5X30 (Ref # 92009E)	92009-1965	2
SCREW,TAPPING,5X20 (Ref # 92009F)	92009-1968	1
NUT,5MM (Ref # 92015)	92015-1573	2
NUT,CABLE ADJUST LOCK,8MM (Ref # 92015A)	92015-1596	1
NUT (Ref # 92015B)	92015-1829	1
WASHER,5MM (Ref # 92022)	92022-1837	1
WASHER,WAVE,5MM (Ref # 92022A)	92022-1838	1
BUSHING (Ref # 92028)	92028-1986	1
SEAL-OIL (Ref # 92049)	92049-1578	1
PLUG,9.5X8,POLYETHYLENE (Ref # 92066)	92066-1077	1
PLUG (Ref # 92066A)	92066-1550	2
SCREW-PAN-CROS (Ref # 220)	220C0525	3
SCREW-PAN-CROS (Ref # 220A)	220C0535	2
SCREW-PAN-CROS,6X25,BLACK (Ref # 220B)	220C0625	1
SCREW-PAN-CROSS (Ref # 220C)	220D0308	3
SCREW-PAN-WS-CROS (Ref # 223)	223C0512	1
NUT-HEX,6MM,BLACK (Ref # 312)	312C0600	1
COLLAR (Ref # 92143)	92143-1216	1
SPRING (Ref # 92145)	92145-1392	1
SPRING (Ref # 92145A)	92145-1429	1
BOLT (Ref # 92150)	92150-1420	1
BOLT,5X10 (Ref # 92151)	92151-1975	1
BOLT,5X20 (Ref # 92151A)	92151-1976	1
BOLT,FLANGED,8X40 (Ref # 92151B)	92151-2130	4
COLLAR (Ref # 92152)	92152-1176	1
CLAMP,CLIP (Ref # 92171)	92171-1095	1
CLAMP (Ref # 92171A)	92171-1344	1
WASHER (Ref # 92200)	92200-1558	2
WASHER (Ref # 92200A)	92200-1559	1