

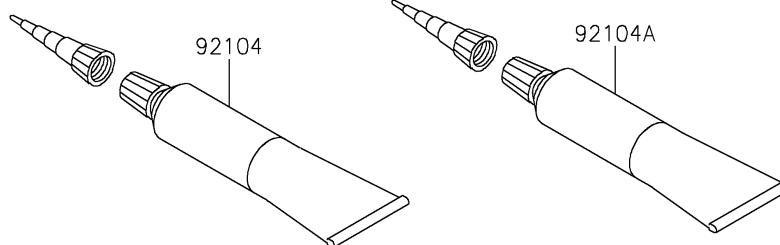
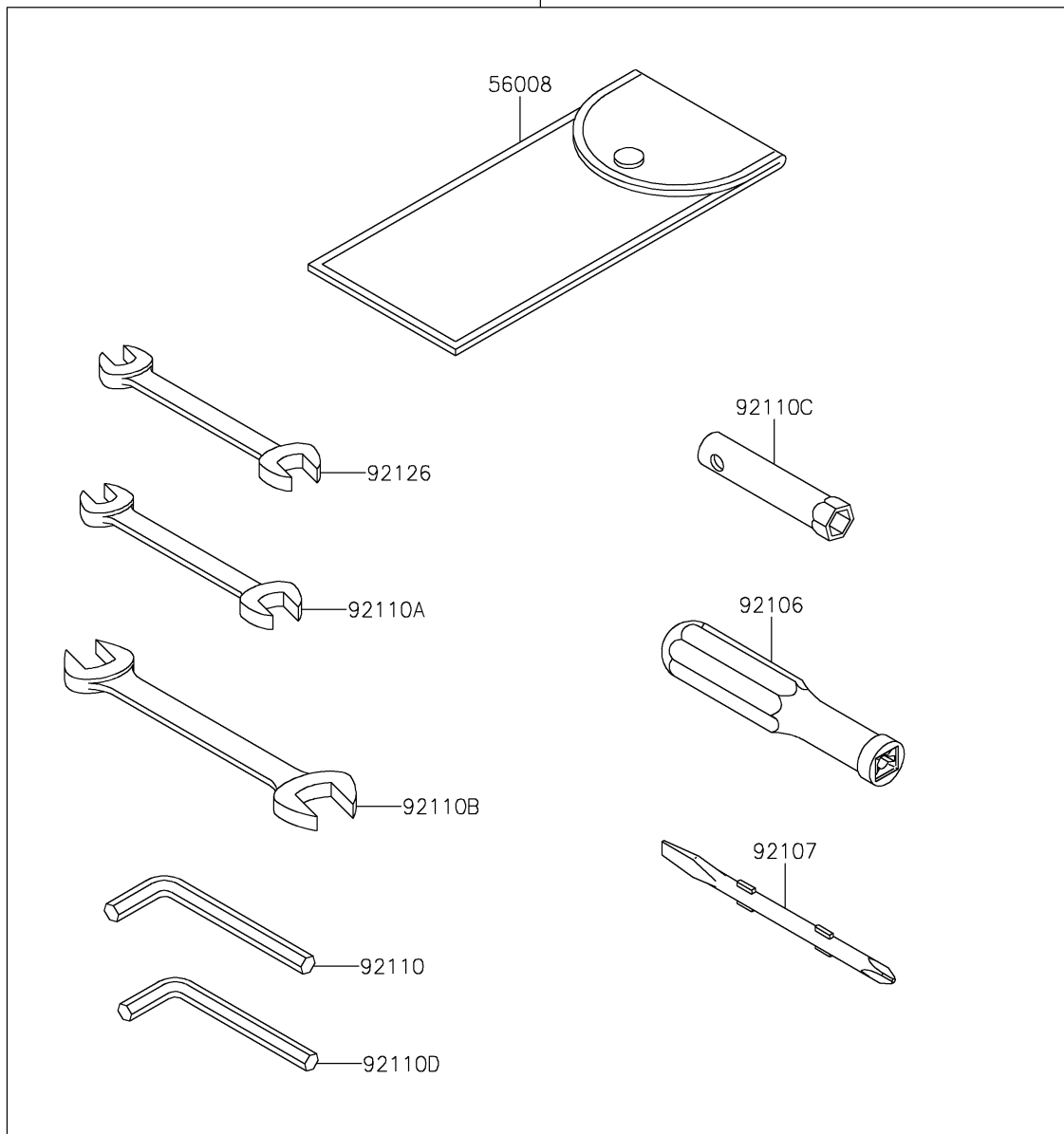
# 2019 CONCOURS®14 ABS

## PARTS DIAGRAM

### Owner's Tools

56007

F2810



# 2019 CONCOURS®14 ABS

## PARTS LIST Owner's Tools

| ITEM NAME | PART NUMBER | QUANTITY |
|-----------|-------------|----------|
|-----------|-------------|----------|

---