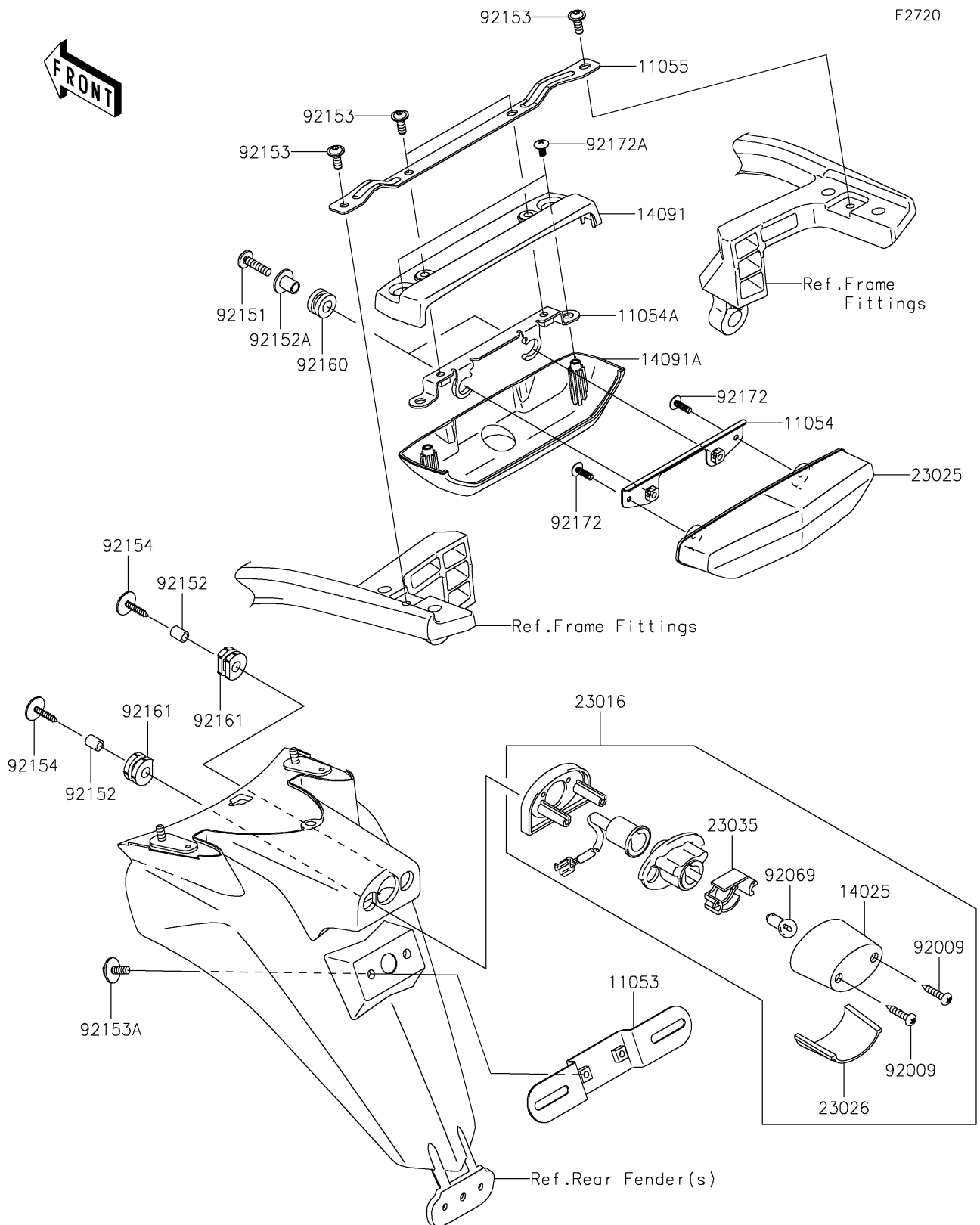


2019 CONCOURS®14 ABS

PARTS DIAGRAM

Taillight(s)



2019 CONCOURS®14 ABS

PARTS LIST

Taillight(s)

ITEM NAME

PART NUMBER

QUANTITY
