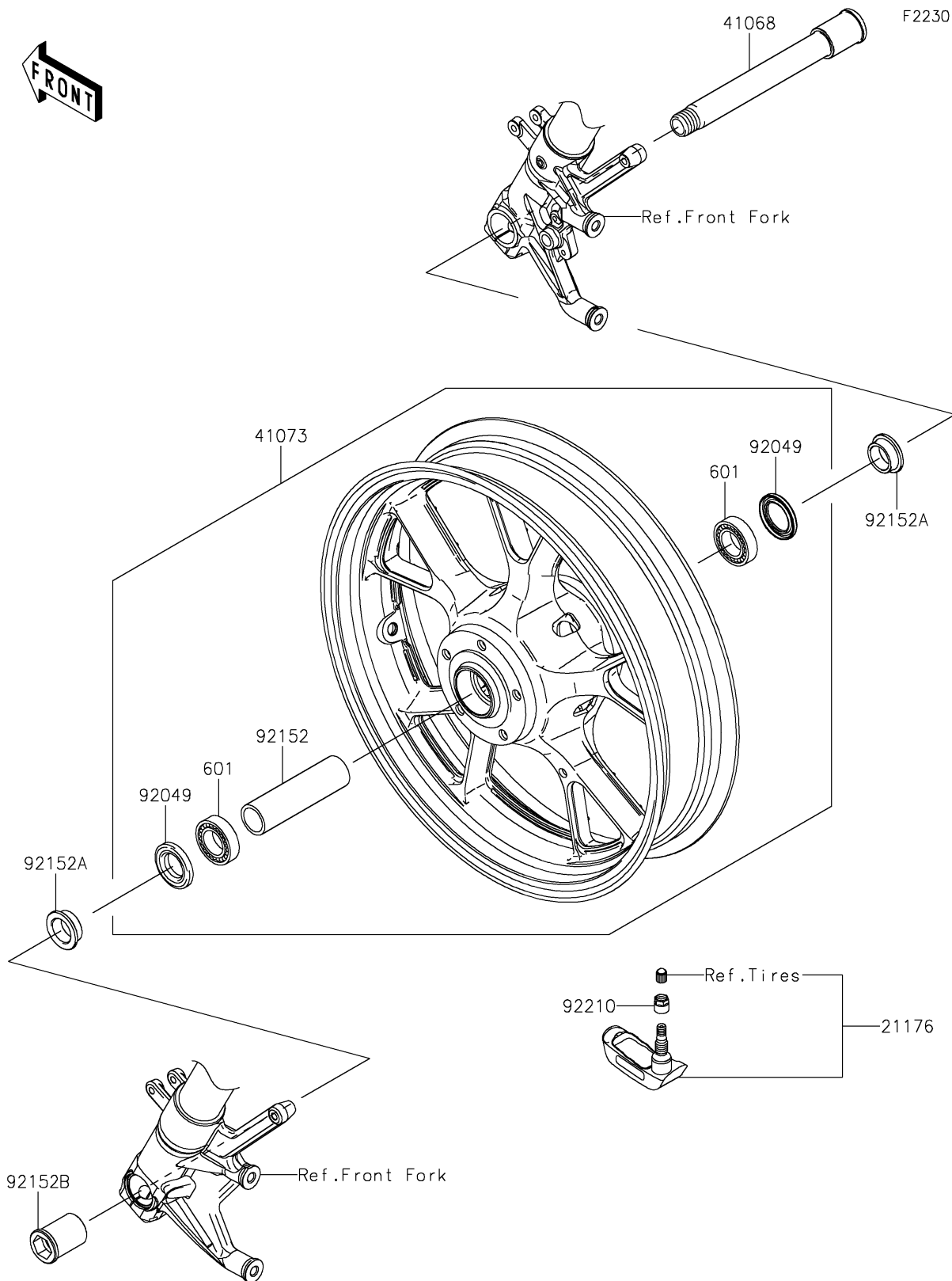


2019 CONCOURS®14 ABS

PARTS DIAGRAM

Front Wheel



2019 CONCOURS®14 ABS

PARTS LIST

Front Wheel

ITEM NAME

PART NUMBER

QUANTITY
