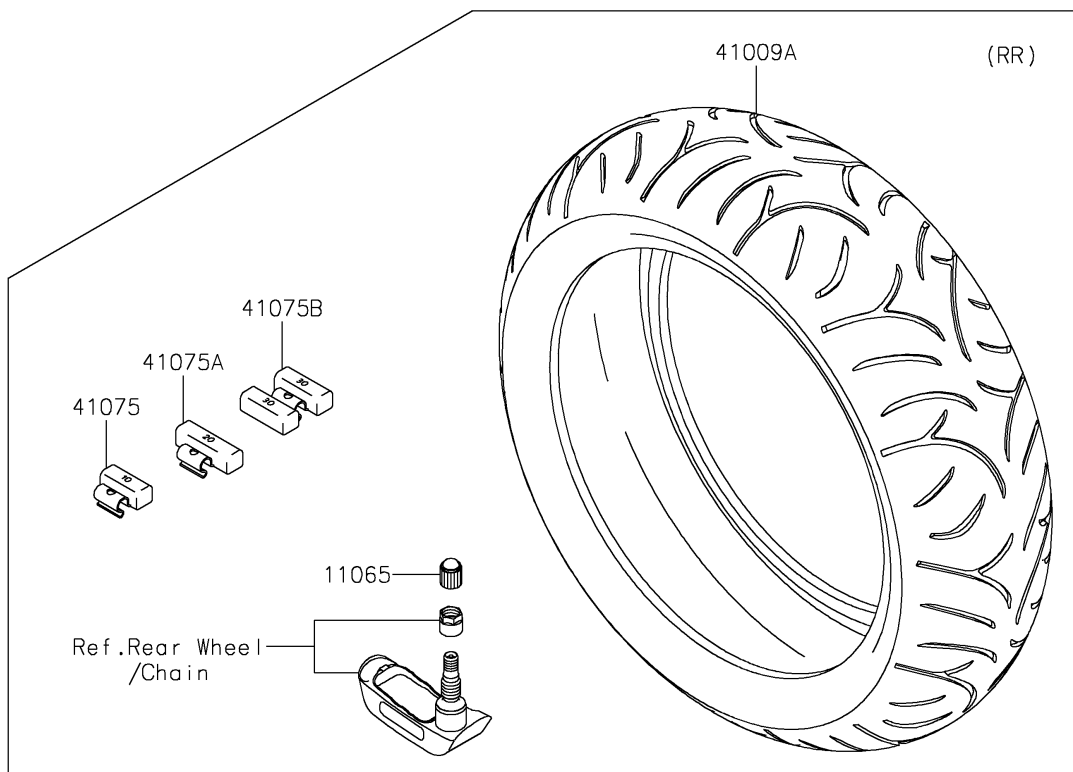
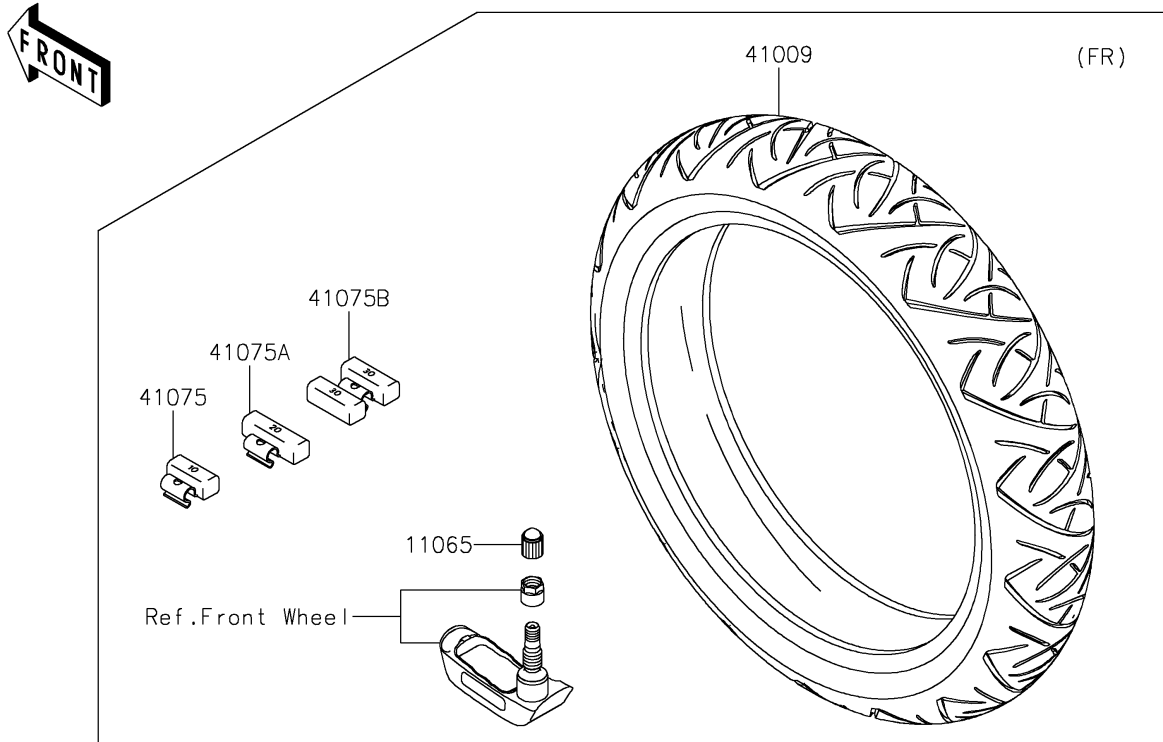


2019 CONCOURS®14 ABS

PARTS DIAGRAM

Tires

F2210



2019 CONCOURS®14 ABS

PARTS LIST

Tires

ITEM NAME

PART NUMBER

QUANTITY
