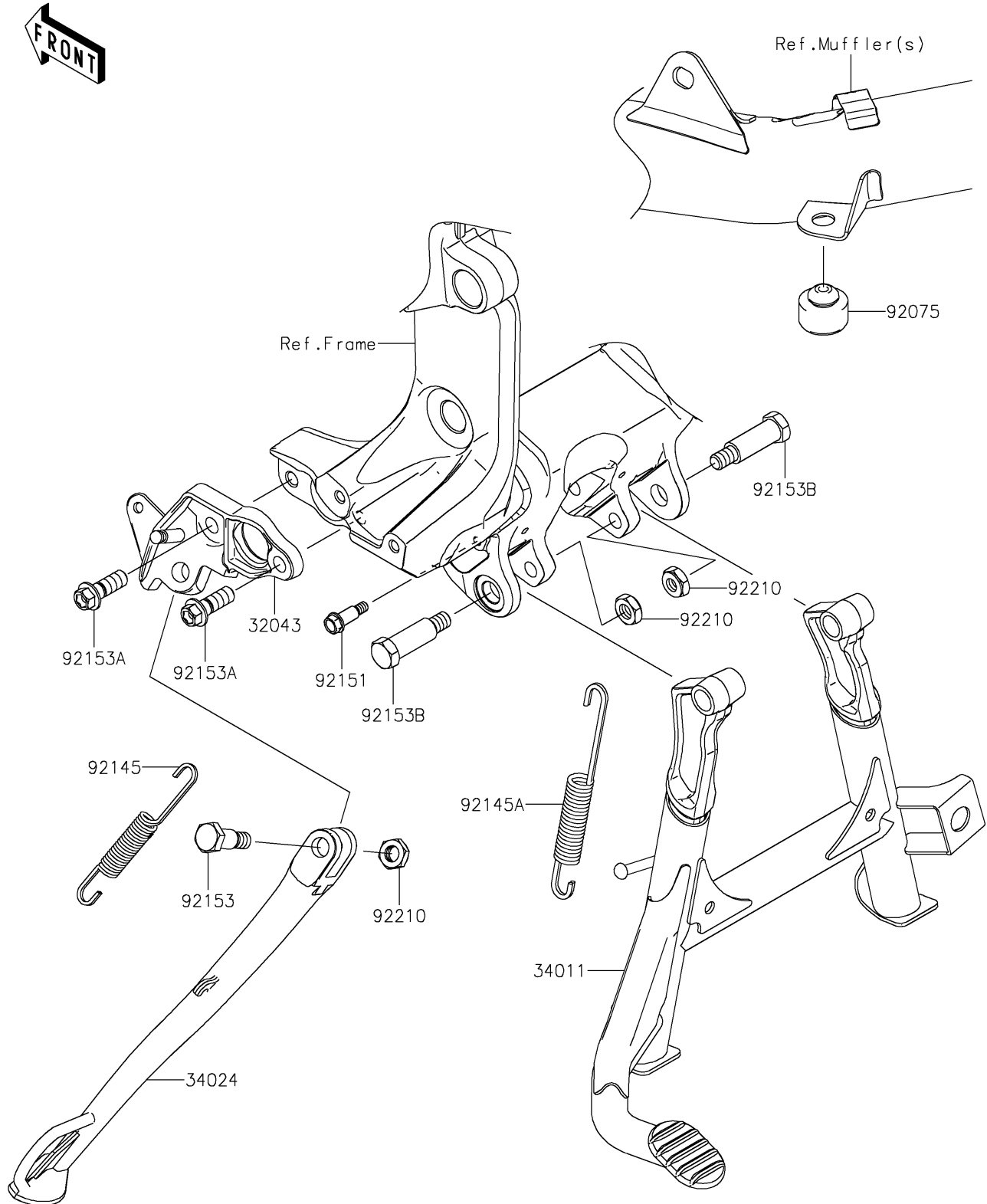


2016 CONCOURS®14 ABS

PARTS DIAGRAM

Stand(s)

F2190



2016 CONCOURS®14 ABS

PARTS LIST

Stand(s)

ITEM NAME

PART NUMBER

QUANTITY
