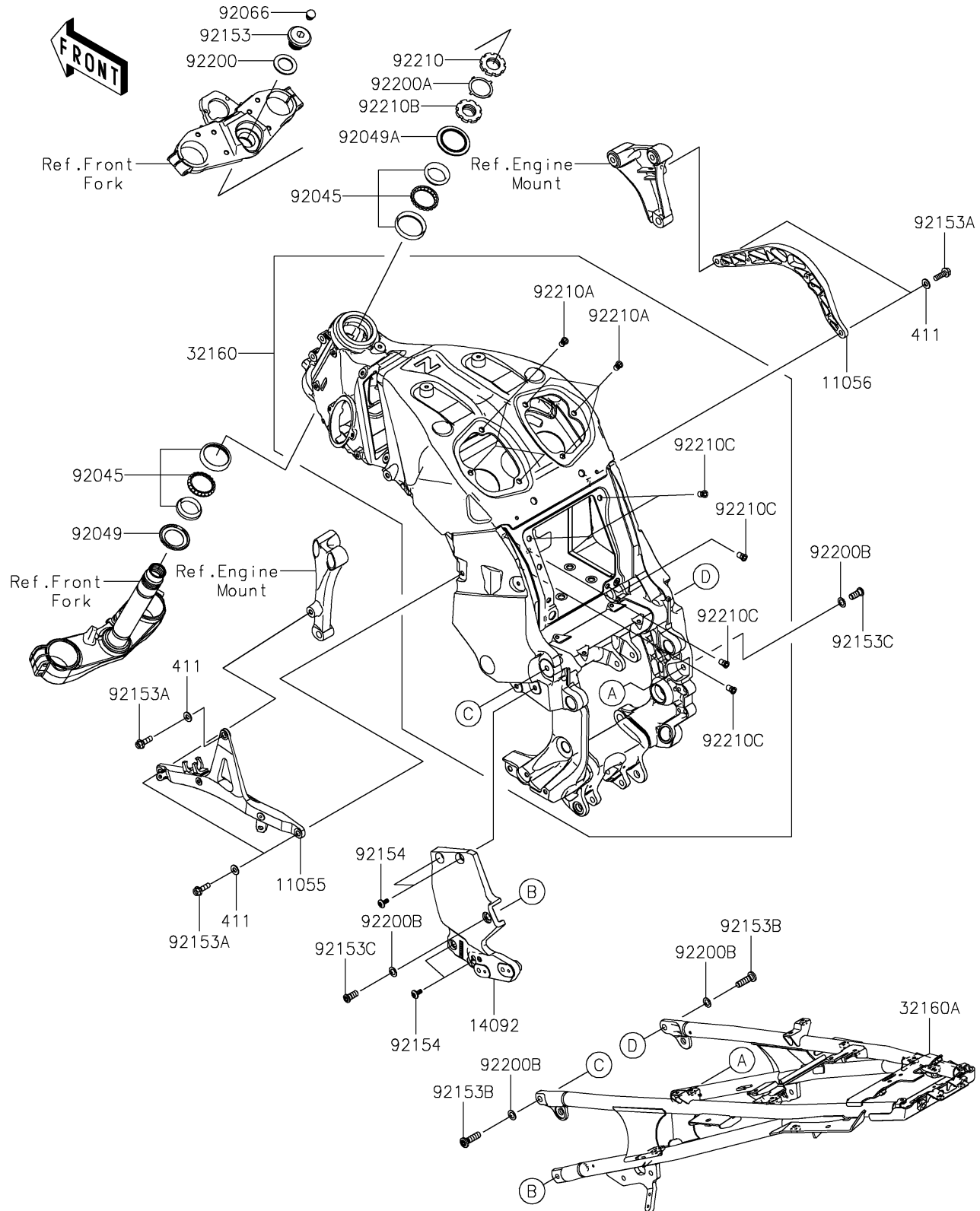


# 2019 CONCOURS®14 ABS

## PARTS DIAGRAM

### Frame

F2120



# 2019 CONCOURS®14 ABS

## PARTS LIST

Frame

**ITEM NAME**

**PART NUMBER**

**QUANTITY**

---