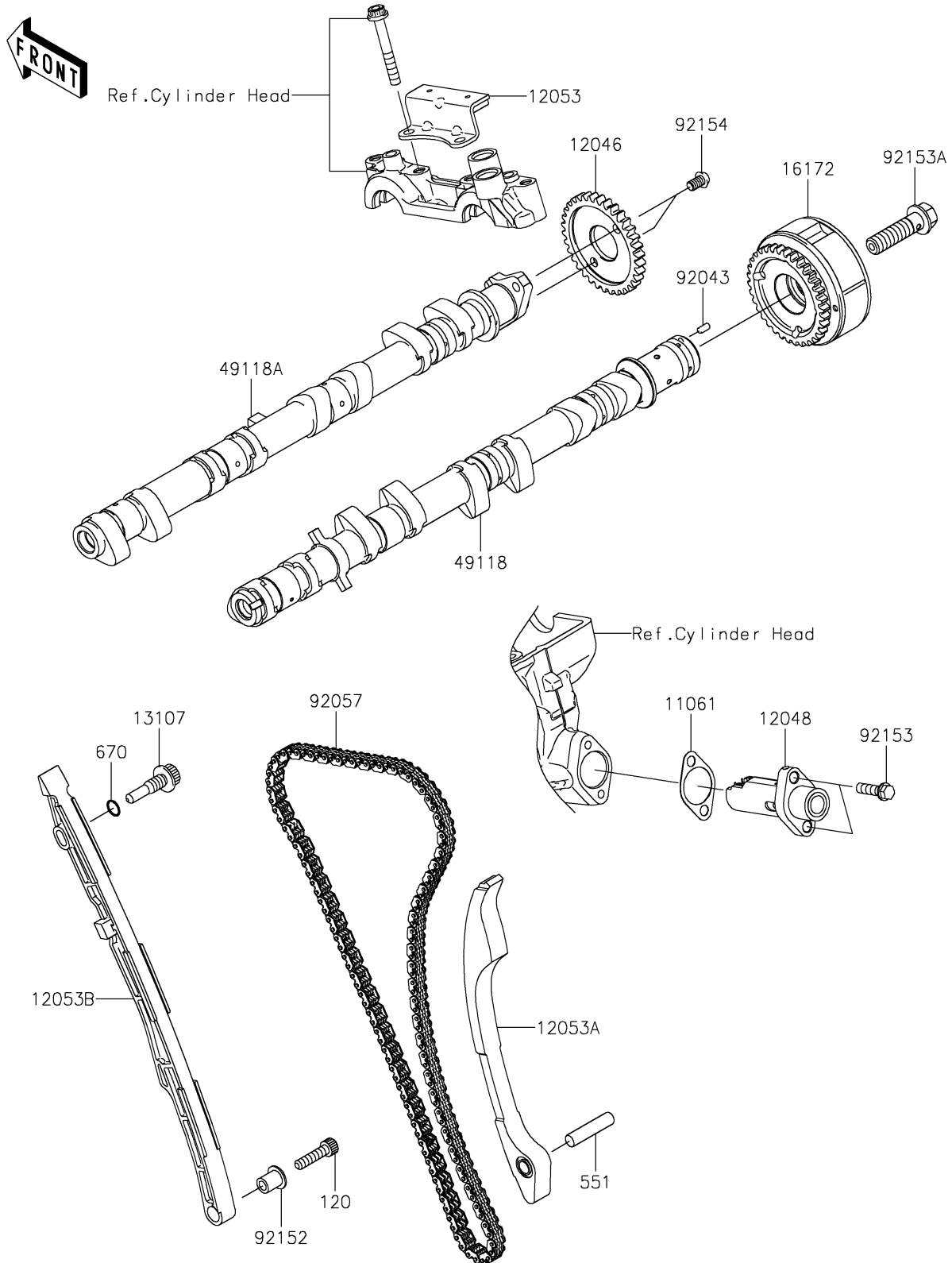


# 2019 CONCOURS®14 ABS

## PARTS DIAGRAM

### Camshaft(s)/Tensioner

E1230



# 2019 CONCOURS®14 ABS

## PARTS LIST

### Camshaft(s)/Tensioner

**ITEM NAME**

**PART NUMBER**

**QUANTITY**

---