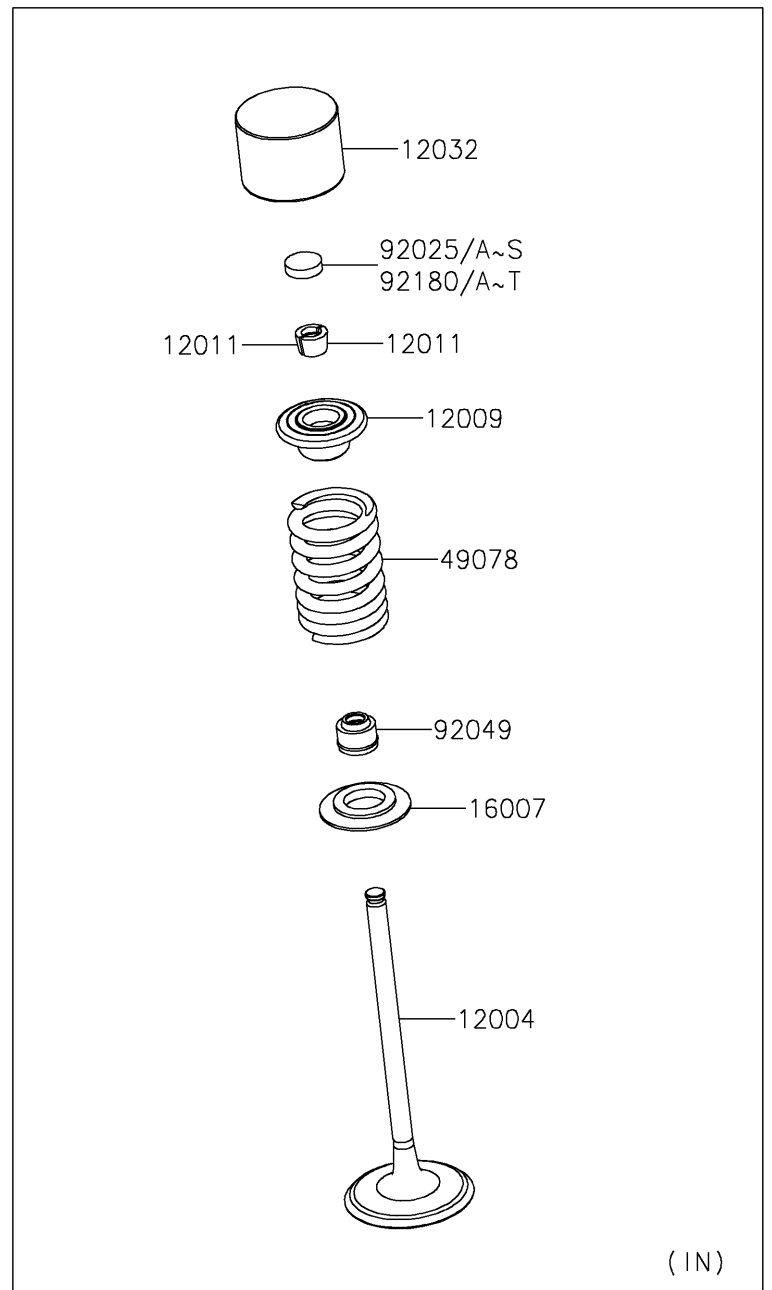
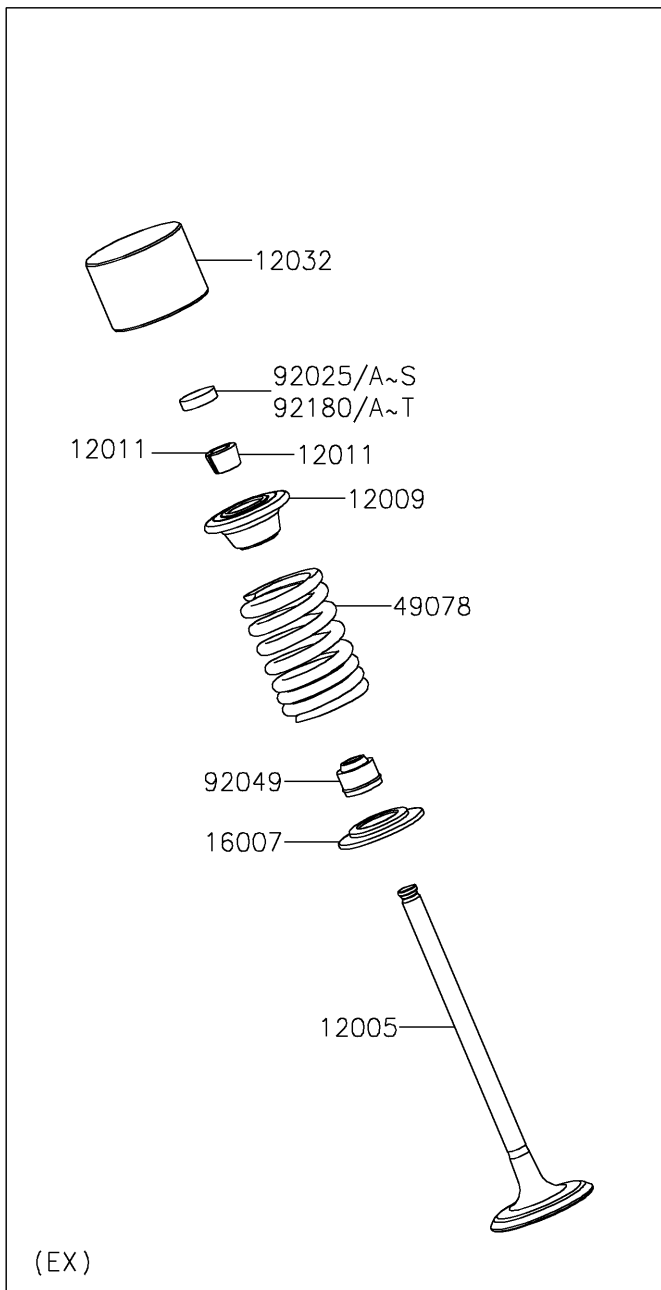


2019 CONCOURS®14 ABS

PARTS DIAGRAM

Valve(s)

E1210



2019 CONCOURS®14 ABS

PARTS LIST

Valve(s)

ITEM NAME

PART NUMBER

QUANTITY
