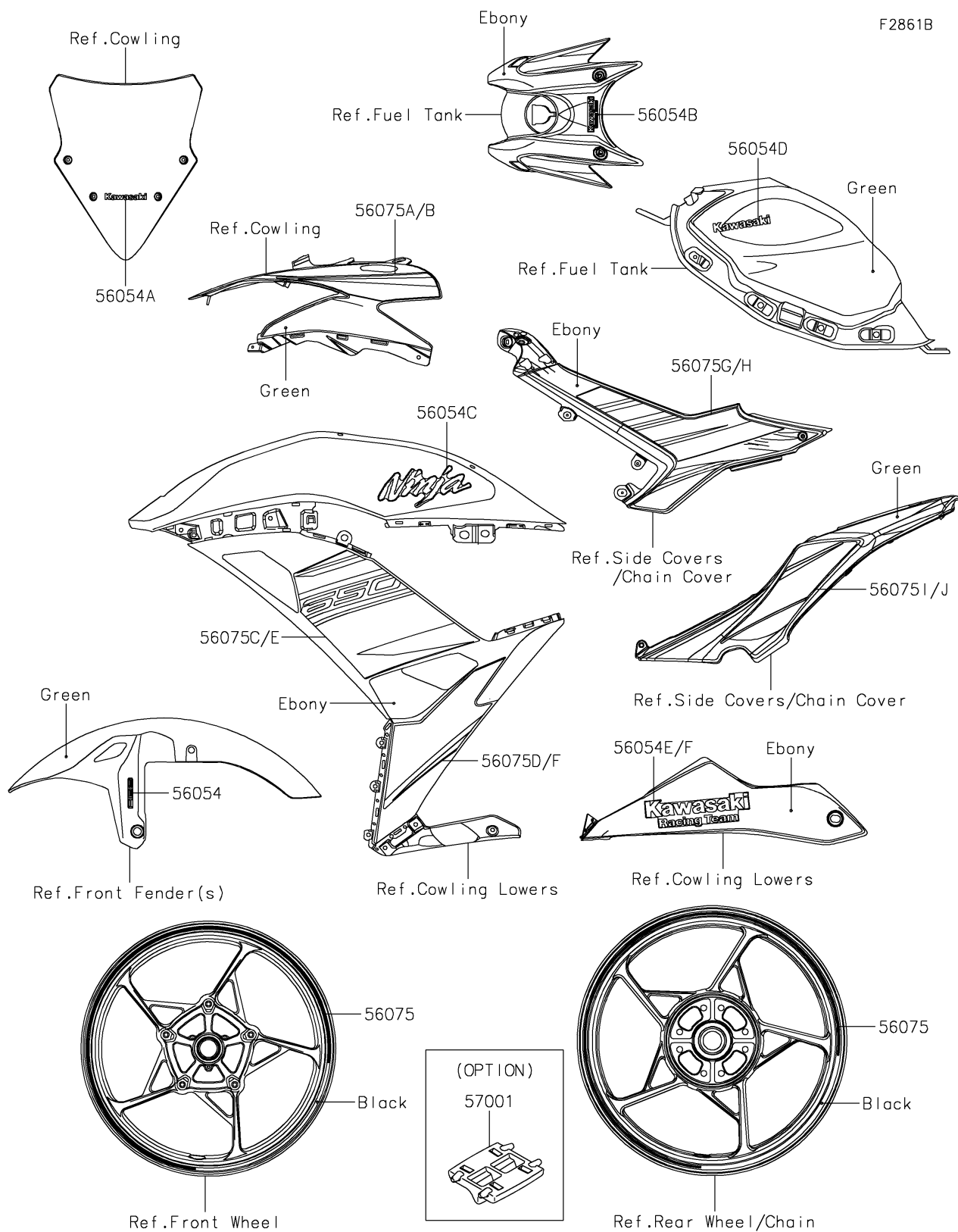


# 2019 NINJA® 650 ABS

## PARTS DIAGRAM

Decals(Green)(KKFA)(CN)



# 2019 NINJA® 650 ABS

## PARTS LIST

Decals(Green)(KKFA)(CN)

**ITEM NAME**

**PART NUMBER**

**QUANTITY**

---