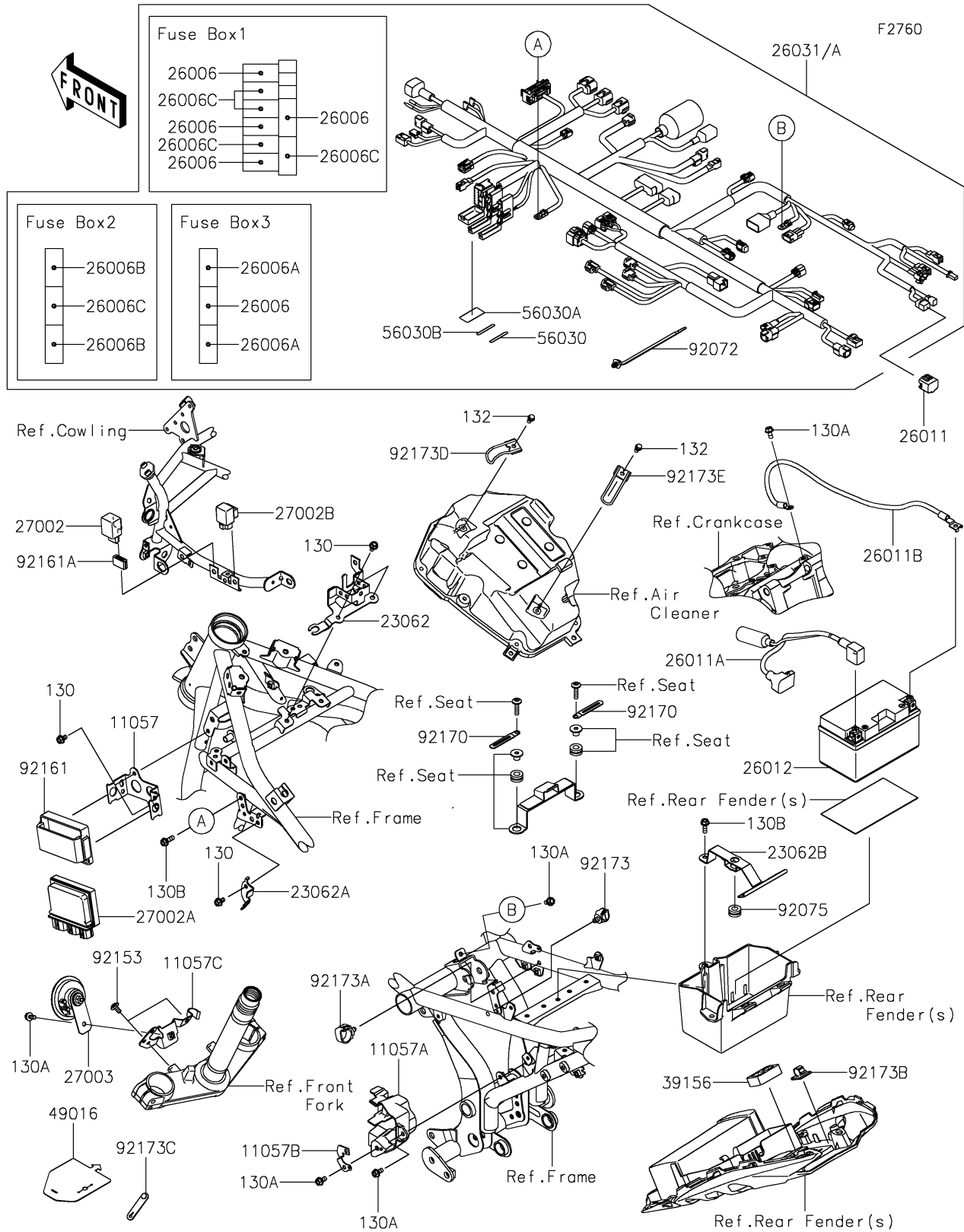


2019 NINJA® 650 ABS

PARTS DIAGRAM

Chassis Electrical Equipment



2019 NINJA® 650 ABS

PARTS LIST

Chassis Electrical Equipment

ITEM NAME

PART NUMBER

QUANTITY
