

2000 Prairie 400 4X4

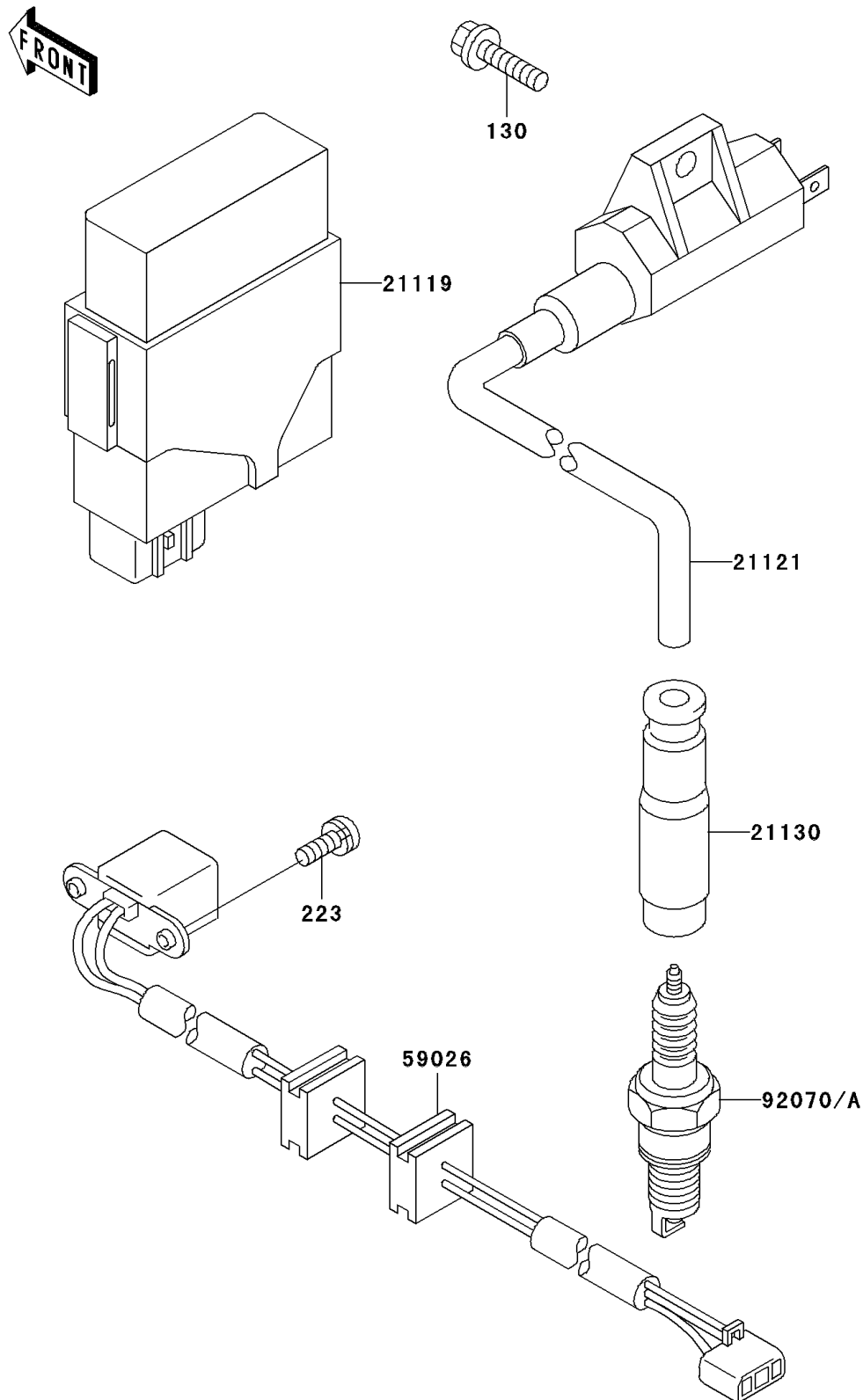
PARTS DIAGRAM

Ignition System

Kawasaki

Let the Good Times Roll®

E1830



2000 Prairie 400 4X4

PARTS LIST

Ignition System

ITEM NAME

PART NUMBER

QUANTITY
