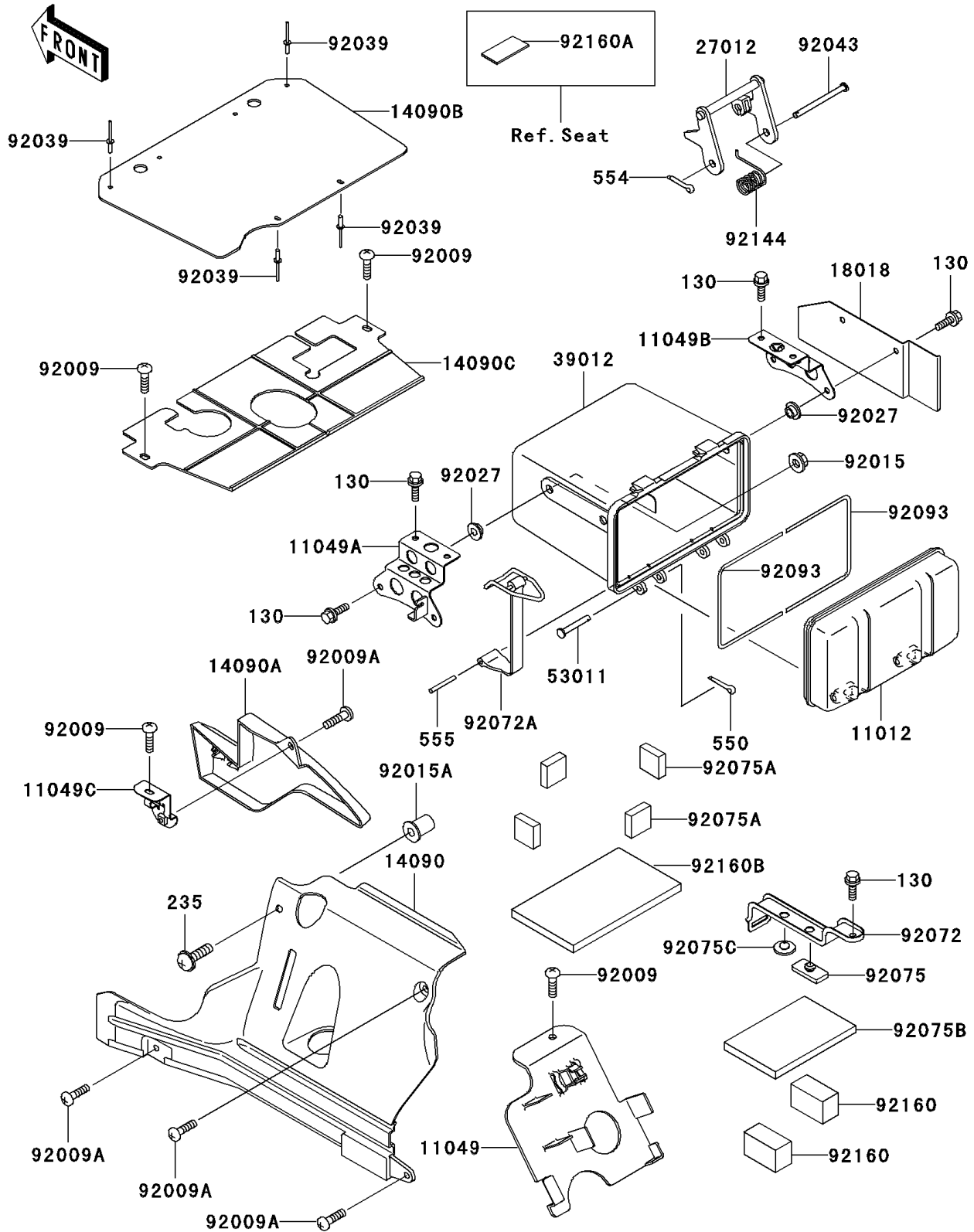


# 1998 Prairie 400 4X4

## PARTS DIAGRAM

### Battery Case

F2132



# 1998 Prairie 400 4X4

## PARTS LIST

### Battery Case

ITEM NAME	PART NUMBER	QUANTITY
BOLT-FLANGED,6X14,BLACK (Ref # 130)	130J0614	9
SCREW-PAN-WP-CROS (Ref # 235)	235C0516	1
PIN-COTTER,2.0X12 (Ref # 550)	550D2012	2
PIN-SNAP (Ref # 554)	554A0600	1
CAP,STORAGE CASE (Ref # 11012)	11012-1951	1
BRACKET,ELECTRIC BASE (Ref # 11049)	11049-1516	1
BRACKET,STORAGE CASE,LH (Ref # 11049A)	11049-1733	1
BRACKET,STORAGE CASE,RH (Ref # 11049B)	11049-1734	1
BRACKET (Ref # 11049C)	11049-1738	1
COVER,ENGINE,LH (Ref # 14090)	14090-1667	1
COVER,ENGINE,RH (Ref # 14090A)	14090-1668	1
COVER,FRONT COVER (Ref # 14090B)	14090-1723	1
COVER,REAR COVER (Ref # 14090C)	14090-1724	1
PLATE-HEAT GUARD (Ref # 18018)	18018-1127	1
HOOK,SEAT (Ref # 27012)	27012-1381	1
CASE-STORAGE (Ref # 39012)	39012-1059	1
PIN,6X39 (Ref # 53011)	53011-006	2
SCREW (Ref # 92009)	92009-1166	4
SCREW,6X16 (Ref # 92009A)	92009-1621	4
NUT,FLANGED,6MM,BLACK (Ref # 92015)	92015-1233	4
NUT,WELL,5MM (Ref # 92015A)	92015-1757	1
COLLAR,L=5.6 (Ref # 92027)	92027-1933	4
RIVET (Ref # 92039)	92039-3712	4
PIN,6X77 (Ref # 92043)	92043-1367	1
BAND,BATTERY (Ref # 92072)	92072-1333	1
BAND,STORAGE CASE (Ref # 92072A)	92072-1337	2
DAMPER (Ref # 92075)	92075-1054	1
DAMPER,RUBBER (Ref # 92075C)	92075-261	1
SEAL (Ref # 92093)	92093-1457	2

# 1998 Prairie 400 4X4

## PARTS LIST

### Battery Case

ITEM NAME	PART NUMBER	QUANTITY
SPRING,SEAT HOOK (Ref # 92144)	92144-1174	1
DAMPER (Ref # 92160A)	92160-1846	1
PIN-SPRING (Ref # 555)	555A0436	2
DAMPER,FUEL TANK,RR (Ref # 92075A)	92075-1483	4
DAMPER,BATTERY (Ref # 92075B)	92075-1997	1
DAMPER (Ref # 92160)	92160-1744	2
DAMPER,BATTERY (Ref # 92160B)	92160-1926	1