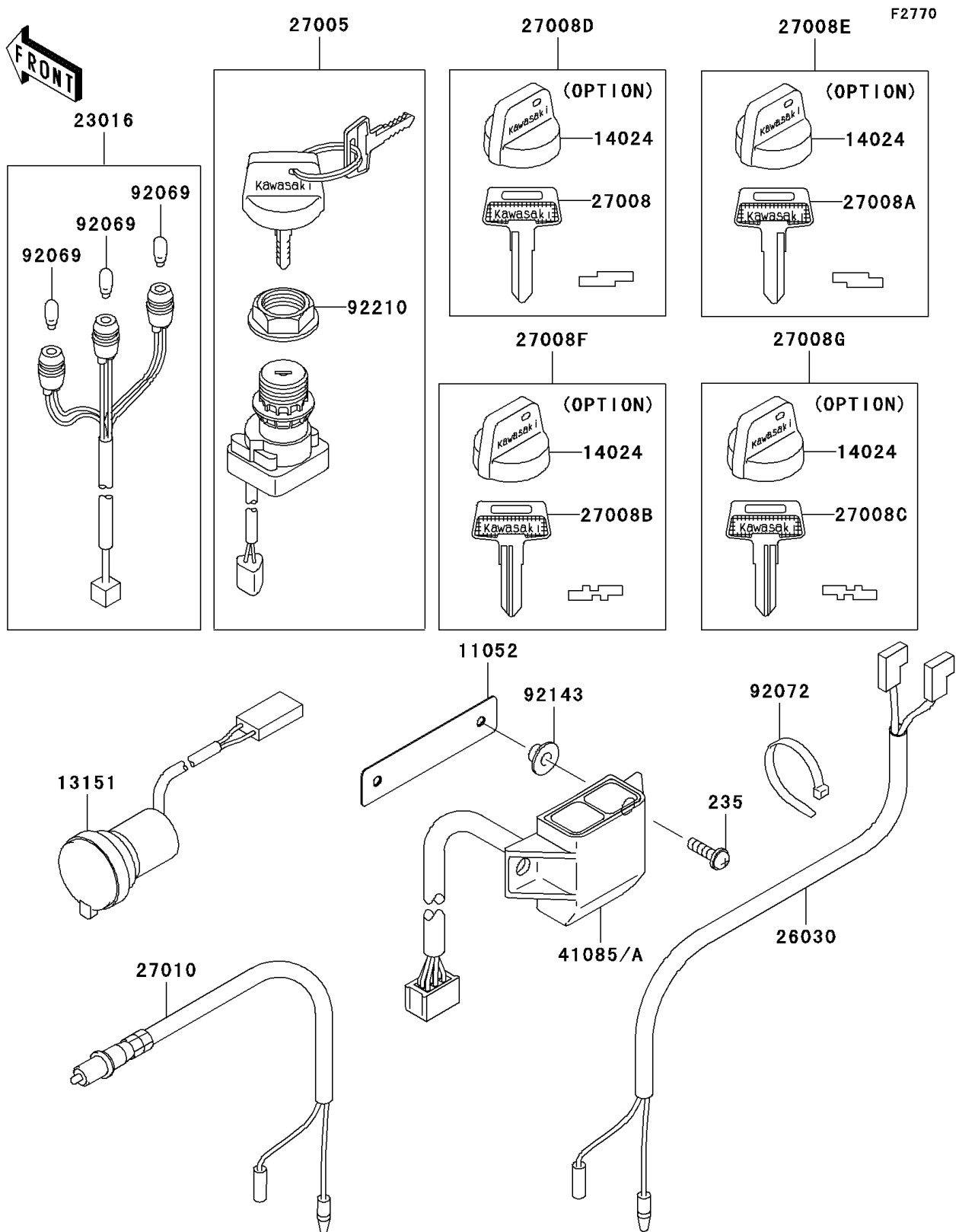


# 2009 Prairie 360 4X4 Hardwoods Green HD

## PARTS DIAGRAM Ignition Switch



# 2009 Prairie 360 4X4 Hardwoods Green HD

**Kawasaki**  
Let the Good Times Roll®

## PARTS LIST

### Ignition Switch

ITEM NAME	PART NUMBER	QUANTITY
SCREW-PAN-WP-CROS,5X16 (Ref # 235)	235AB0516	2
BRACKET (Ref # 11052)	11052-7530	1
SWITCH-COMP,D.C.TERMINAL (Ref # 13151)	13151-0004	1
COVER,KEY (Ref # 14024)	14024-1551	4
LAMP-ASSY (Ref # 23016)	23016-1151	1
HARNESS (Ref # 26030)	26030-1058	1
SWITCH-ASSY-IGNITION (Ref # 27005)	27005-1229	1
KEY-LOCK,BLANK (Ref # 27008)	27008-1041	1
KEY-LOCK,BLANK (Ref # 27008A)	27008-1042	1
KEY-LOCK,BLANK (Ref # 27008B)	27008-1043	1
KEY-LOCK,BLANK (Ref # 27008C)	27008-1044	1
KEY-LOCK,BLANK,W/COVER (Ref # 27008D)	27008-1132	1
KEY-LOCK,BLANK,W/COVER (Ref # 27008E)	27008-1133	1
KEY-LOCK,BLANK,W/COVER (Ref # 27008F)	27008-1134	1
KEY-LOCK,BLANK,W/COVER (Ref # 27008G)	27008-1135	1
SWITCH,BRAKE (Ref # 27010)	27010-1294	1
INDICATOR (Ref # 41085A)	41085-0004	1
BULB,12V 3W,T7 (Ref # 92069)	92069-1020	3
BAND,L=149 (Ref # 92072)	92072-031	1
COLLAR (Ref # 92143)	92143-1057	2
NUT,IGNITION SWITCH (Ref # 92210)	92210-1109	1