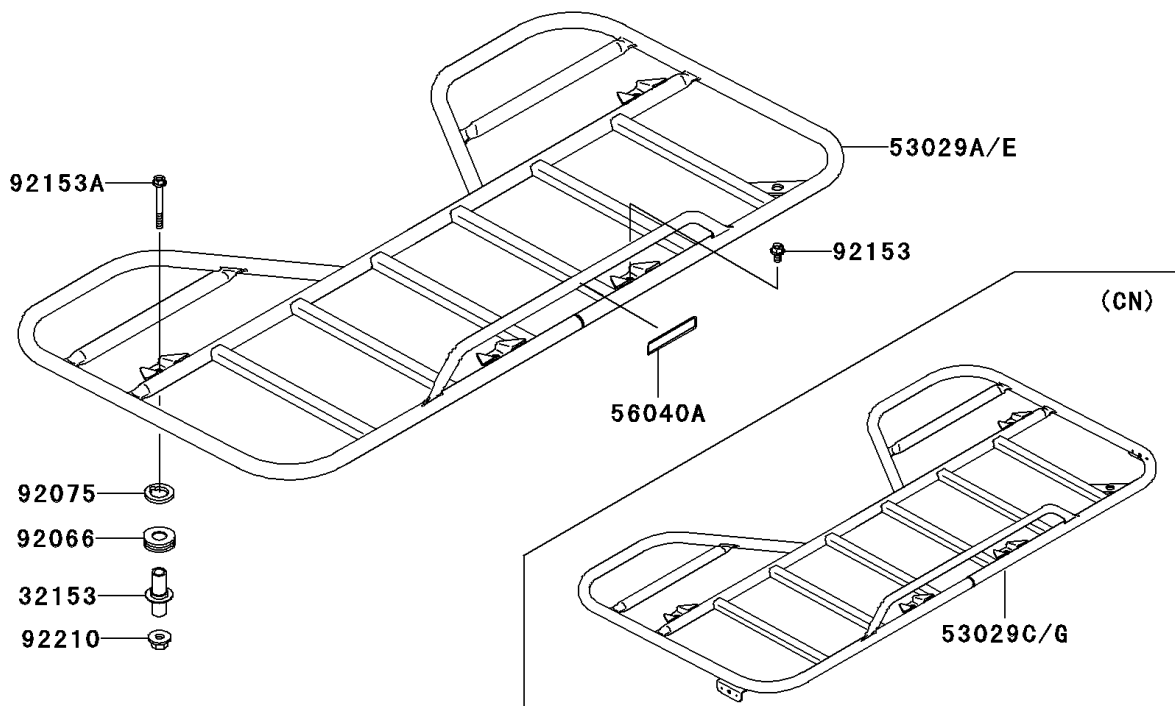
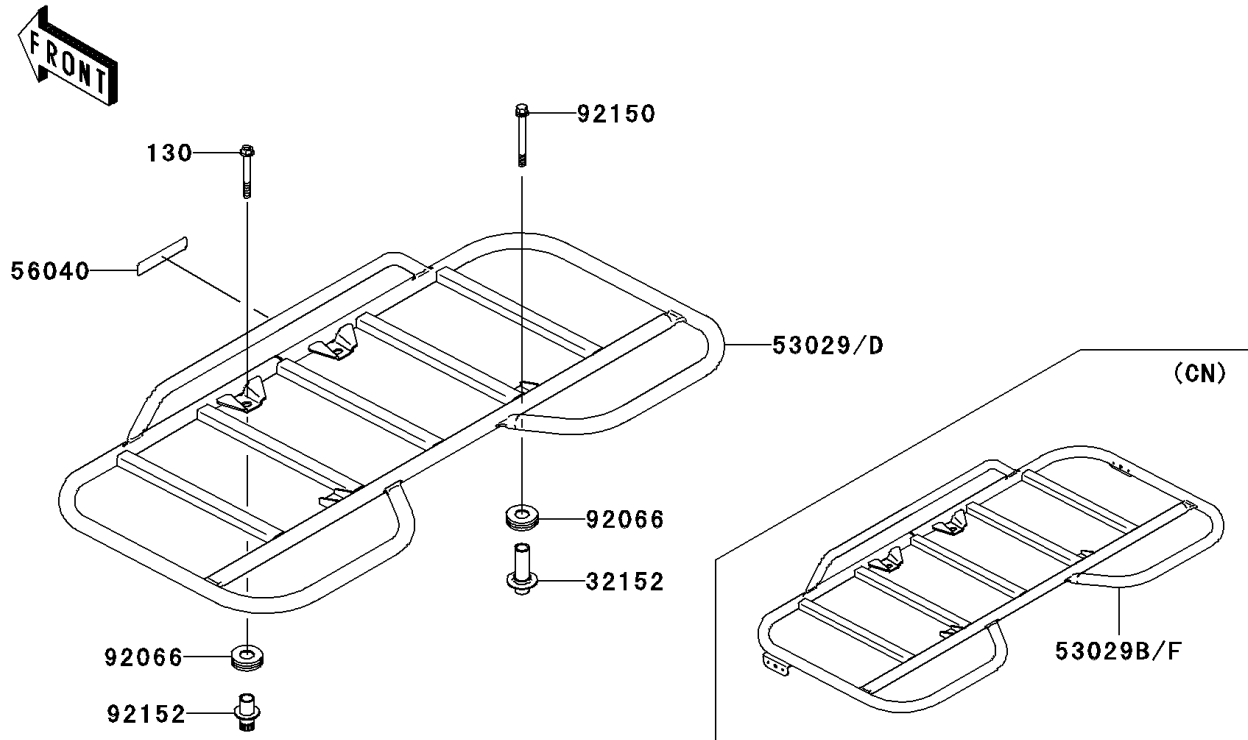


# 2010 Prairie 360 4X4 Realtree APG HD

## PARTS DIAGRAM

### Carrier(s)

F2520



# 2010 Prairie 360 4X4 Realtree APG HD



## PARTS LIST

Carrier(s)

| ITEM NAME | PART NUMBER | QUANTITY |
|-----------|-------------|----------|
|-----------|-------------|----------|

---