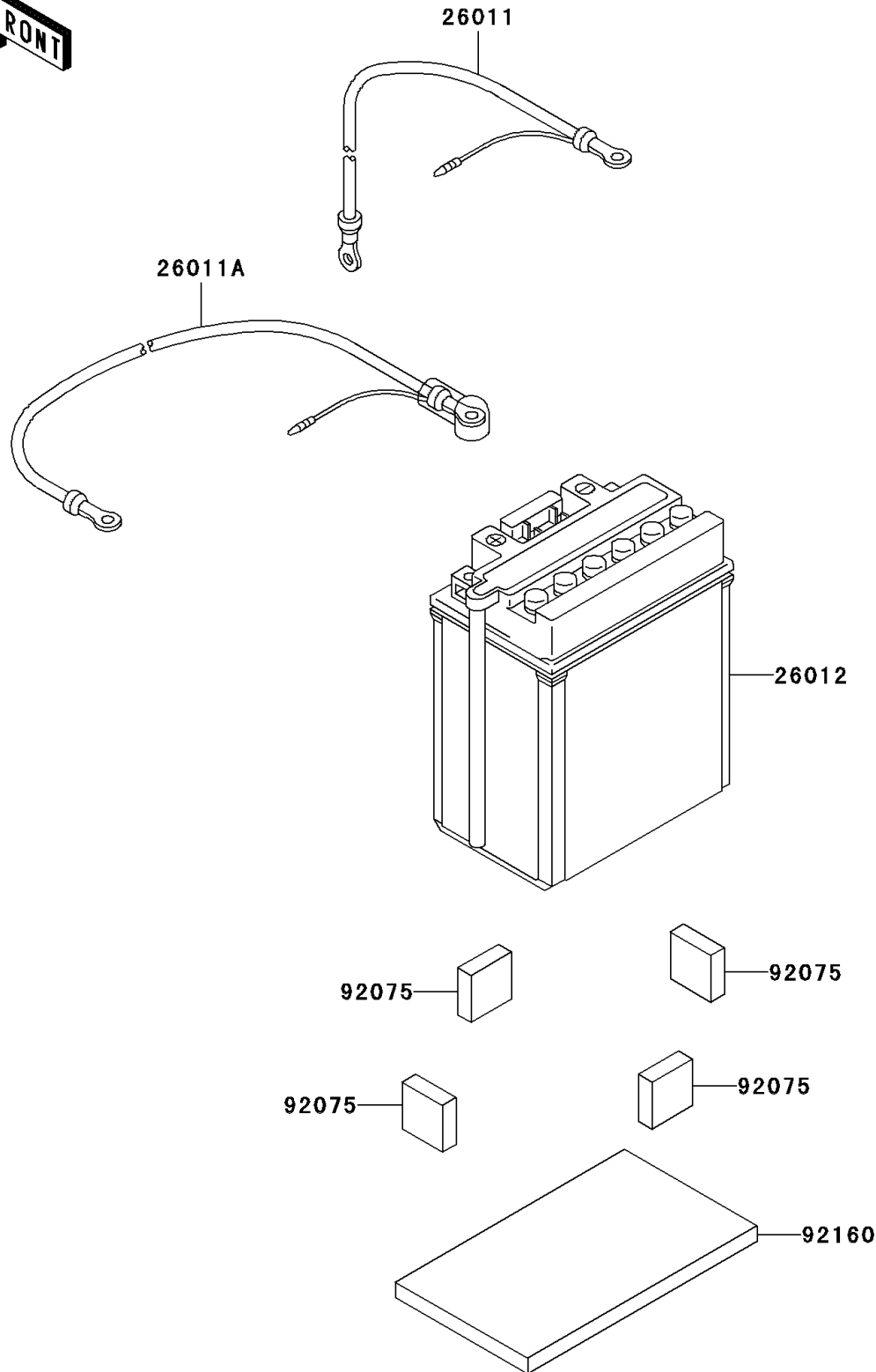


2003 Prairie 360

PARTS DIAGRAM

Optional Parts(CN)(Battery)

F2890B



2003 Prairie 360

PARTS LIST

Optional Parts(CN)(Battery)

ITEM NAME

PART NUMBER

QUANTITY
