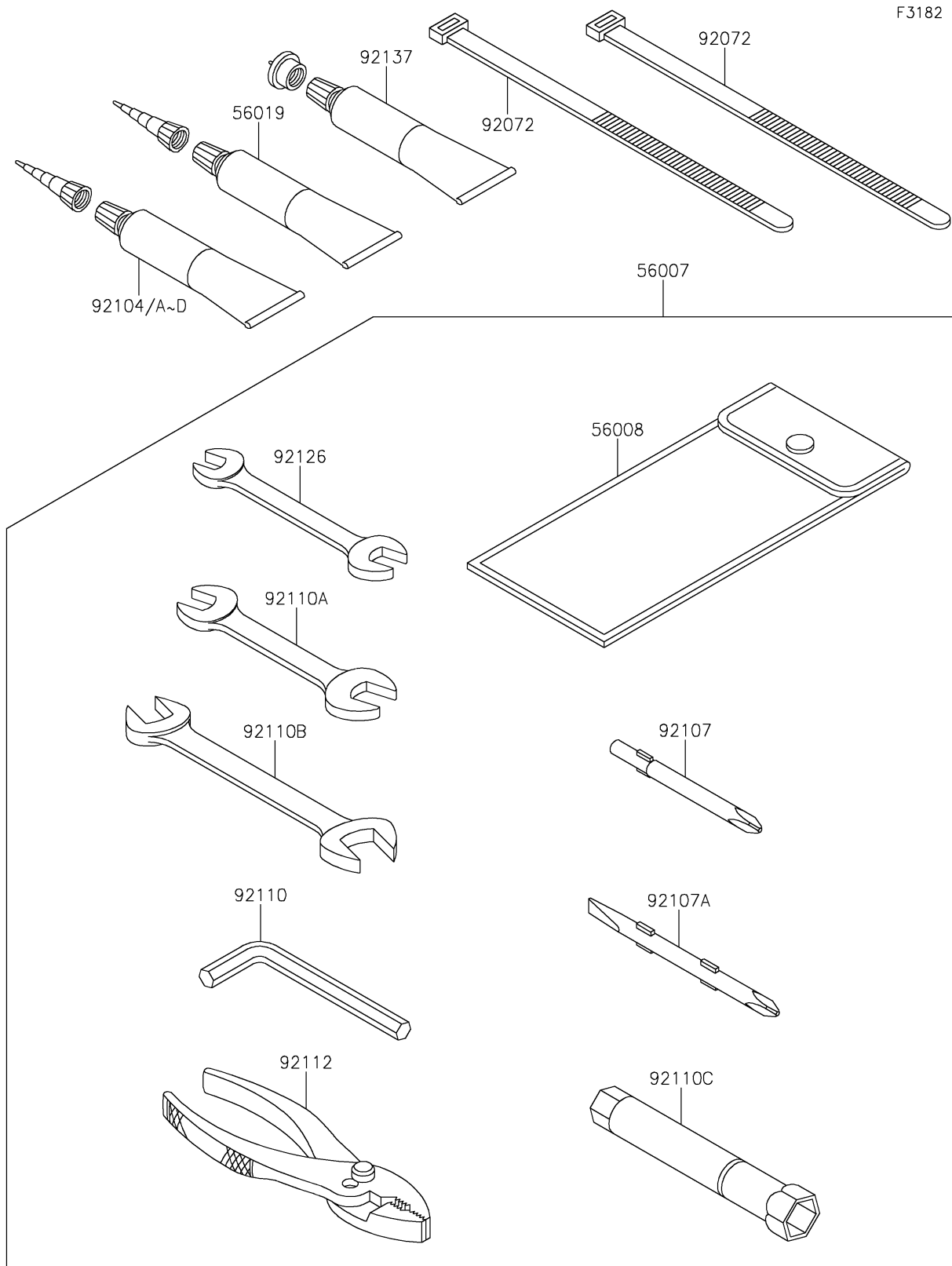


# 2019 JET SKI® Ultra® 310X SE

## PARTS DIAGRAM

### Owner's Tools



# 2019 JET SKI® Ultra® 310X SE

## PARTS LIST Owner's Tools



**ITEM NAME**

**PART NUMBER**

**QUANTITY**

---