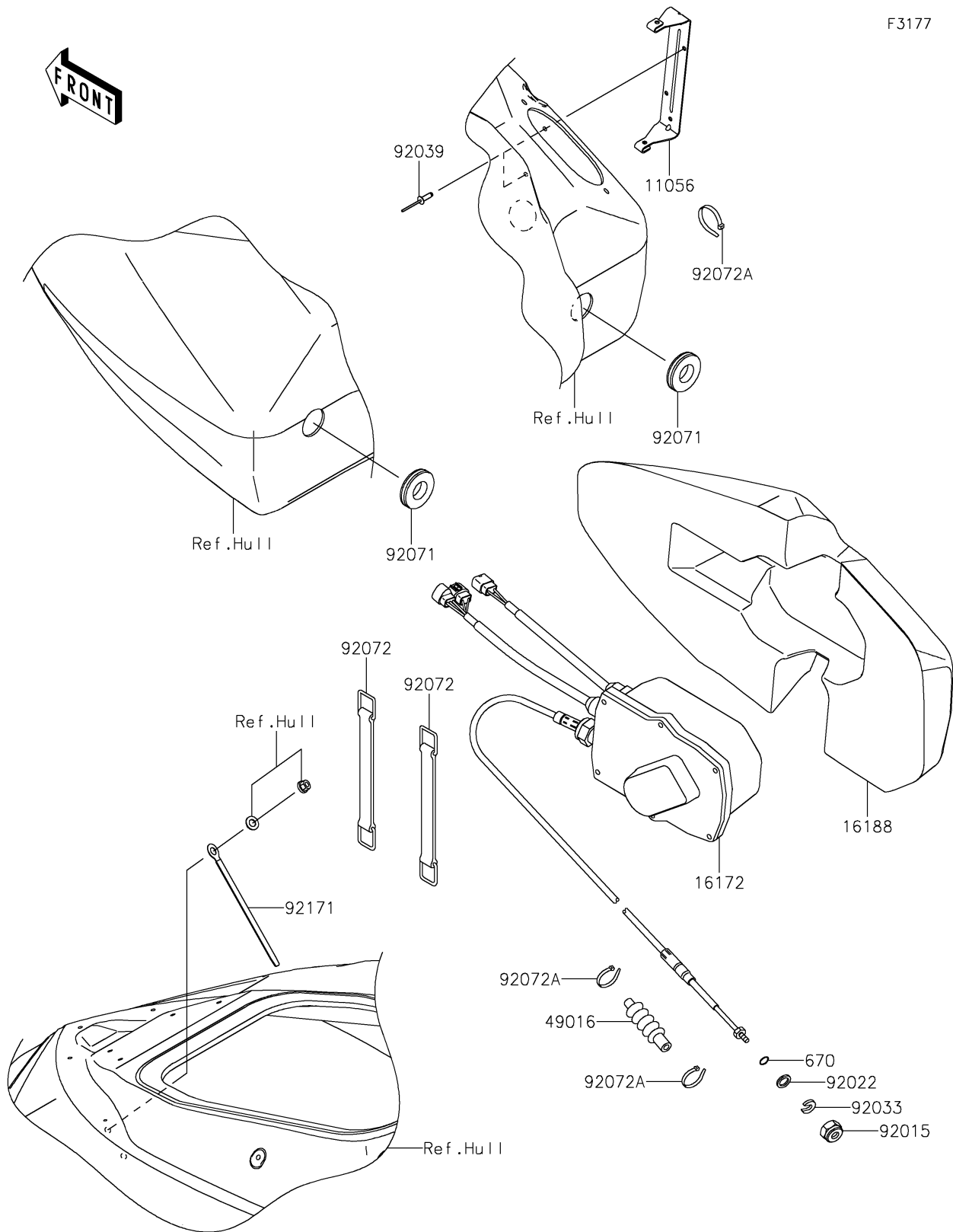


# 2019 JET SKI® Ultra® 310X SE

## PARTS DIAGRAM

### Control

F3177



# 2019 JET SKI® Ultra® 310X SE

## PARTS LIST

### Control



**ITEM NAME**

**PART NUMBER**

**QUANTITY**

---