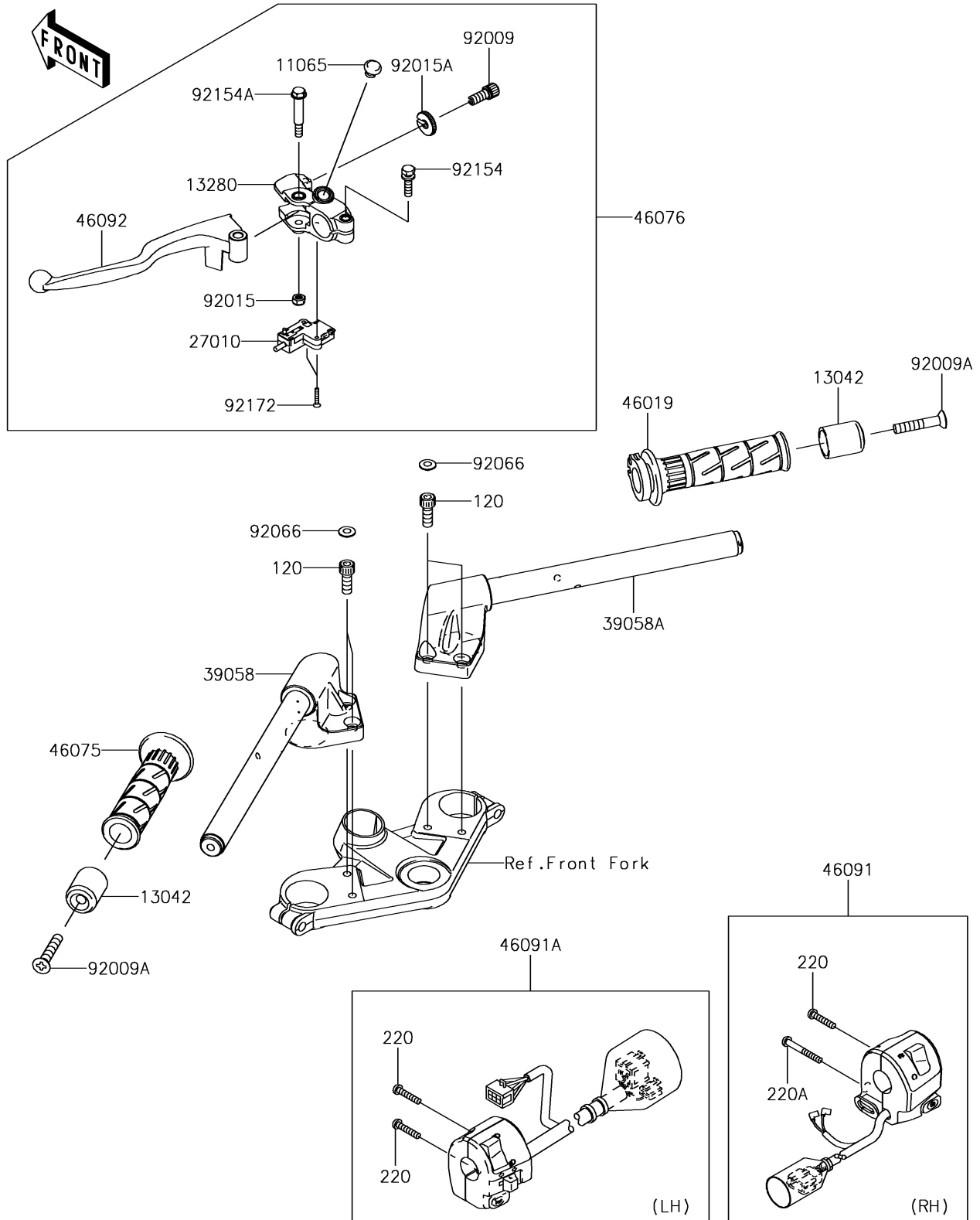


2017 Ninja 300 ABS KRT Edition

PARTS DIAGRAM

Handlebar

F2310



2017 Ninja 300 ABS KRT Edition

PARTS LIST

Handlebar

| ITEM NAME | PART NUMBER | QUANTITY |
|--|----------------|----------|
| CAP,DUMMY (Ref # 11065) | 11065-0921 | 1 |
| BOLT-SOCKET,8X22 (Ref # 120) | 120CB0822 | 4 |
| WEIGHT,HANDLE (Ref # 13042) | 13042-0032 | 2 |
| HOLDER,CLUTCH LEVER (Ref # 13280) | 13280-0847 | 1 |
| SCREW-PAN-CROS,5X25 (Ref # 220) | 220AB0525 | 3 |
| SCREW-PAN-CROS,5X40 (Ref # 220A) | 220AB0540 | 1 |
| SWITCH,CLUTCH (Ref # 27010) | 27010-0729 | 1 |
| HANDLE-COMP,LH,F.S.BLACK (Ref # 39058) | 39058-0007-18R | 1 |
| HANDLE-COMP,RH,F.S.BLACK (Ref # 39058A) | 39058-0008-18R | 1 |
| GRIP-ASSY,THROTTLE (Ref # 46019) | 46019-0060 | 1 |
| GRIP,HANDLE,LH (Ref # 46075) | 46075-0564 | 1 |
| LEVER-ASSY-GRIP,CLUTCH (Ref # 46076) | 46076-0123 | 1 |
| HOUSING-ASSY-CONTROL,RH (Ref # 46091) | 46091-0205 | 1 |
| HOUSING-ASSY-CONTROL,LH (Ref # 46091A) | 46091-0249 | 1 |
| LEVER-GRIP,CLUTCH (Ref # 46092) | 46092-0562 | 1 |
| SCREW,CABLE ADJUST,8MM,BLACK (Ref # 92009) | 92009-1134 | 1 |
| SCREW,8X45 (Ref # 92009A) | 92009-1257 | 2 |
| NUT,LOCK,6MM,BLACK (Ref # 92015) | 92015-1191 | 1 |
| NUT,CABLE ADJUST LOCK,8MM,BLK (Ref # 92015A) | 92015-1197 | 1 |
| PLUG (Ref # 92066) | 92066-1216 | 4 |
| BOLT (Ref # 92154) | 92154-1827 | 1 |
| BOLT,FLANGED,6X44 (Ref # 92154A) | 92154-2331 | 1 |
| SCREW,3X16 (Ref # 92172) | 92172-0183 | 2 |