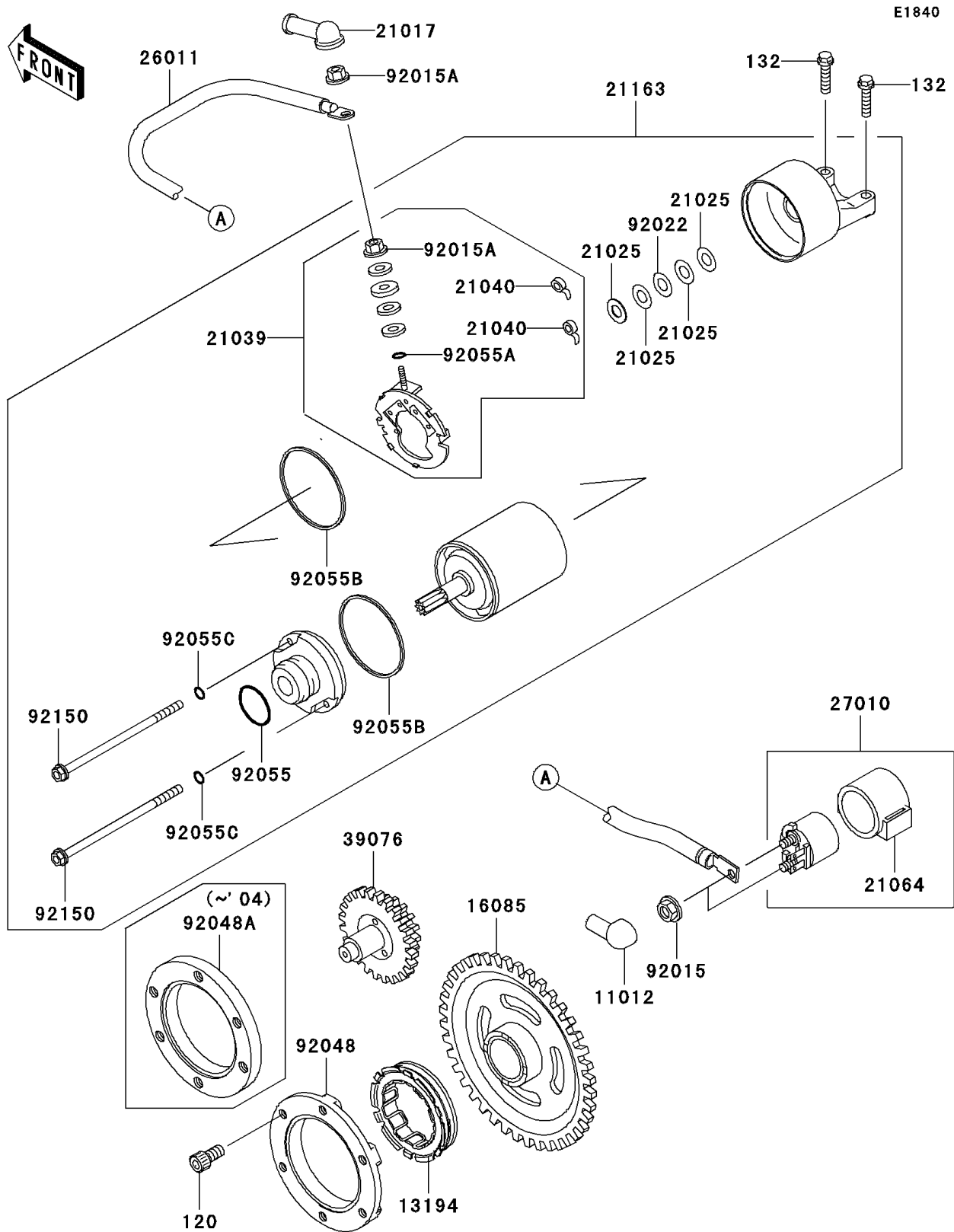


# 2004 Prairie 360 4X4

## PARTS DIAGRAM

### Starter Motor



# 2004 Prairie 360 4X4

## PARTS LIST

### Starter Motor

ITEM NAME	PART NUMBER	QUANTITY
BOLT-SOCKET (Ref # 120)	120P0816	6
BOLT-FLANGED-SMALL (Ref # 132)	132Y0625	2
CAP,TERMINAL (Ref # 11012)	11012-1354	1
CLUTCH-ONEWAY (Ref # 13194)	13194-1094	1
GEAR,STARTER (Ref # 16085)	16085-1346	1
GROMMET,STARTER TERMINAL (Ref # 21017)	21017-017	1
WASHER,9.1X18X0.2 (Ref # 21025)	21025-011	AR
BRUSH (Ref # 21039)	21039-1066	1
SPRING-BRUSH (Ref # 21040)	21040-1057	2
DAMPER,MAGNETIC SWITCH (Ref # 21064)	21064-002	1
STARTER-ELECTRIC (Ref # 21163)	21163-1328	1
WIRE-LEAD,STARTER MOTOR (Ref # 26011)	26011-1709	1
SWITCH,MAGNETIC (Ref # 27010)	27010-1098	1
LIMITER,STARTER (Ref # 39076)	39076-1066	1
NUT,FLANGED,6MM (Ref # 92015)	92015-1193	2
NUT,STARTER MOTOR (Ref # 92015A)	92015-1476	2
WASHER,9.1X18X0.8 (Ref # 92022)	92022-1132	1
RACE,ONEWAY CLUTCH (Ref # 92048A)	92048-1090	1
RING-O (Ref # 92055)	92055-1276	1
RING-O,4.5X2.0 (Ref # 92055A)	92055-1370	1
RING-O (Ref # 92055B)	92055-1550	2
RING-O (Ref # 92055C)	92055-1551	2
BOLT (Ref # 92150)	92150-1969	2