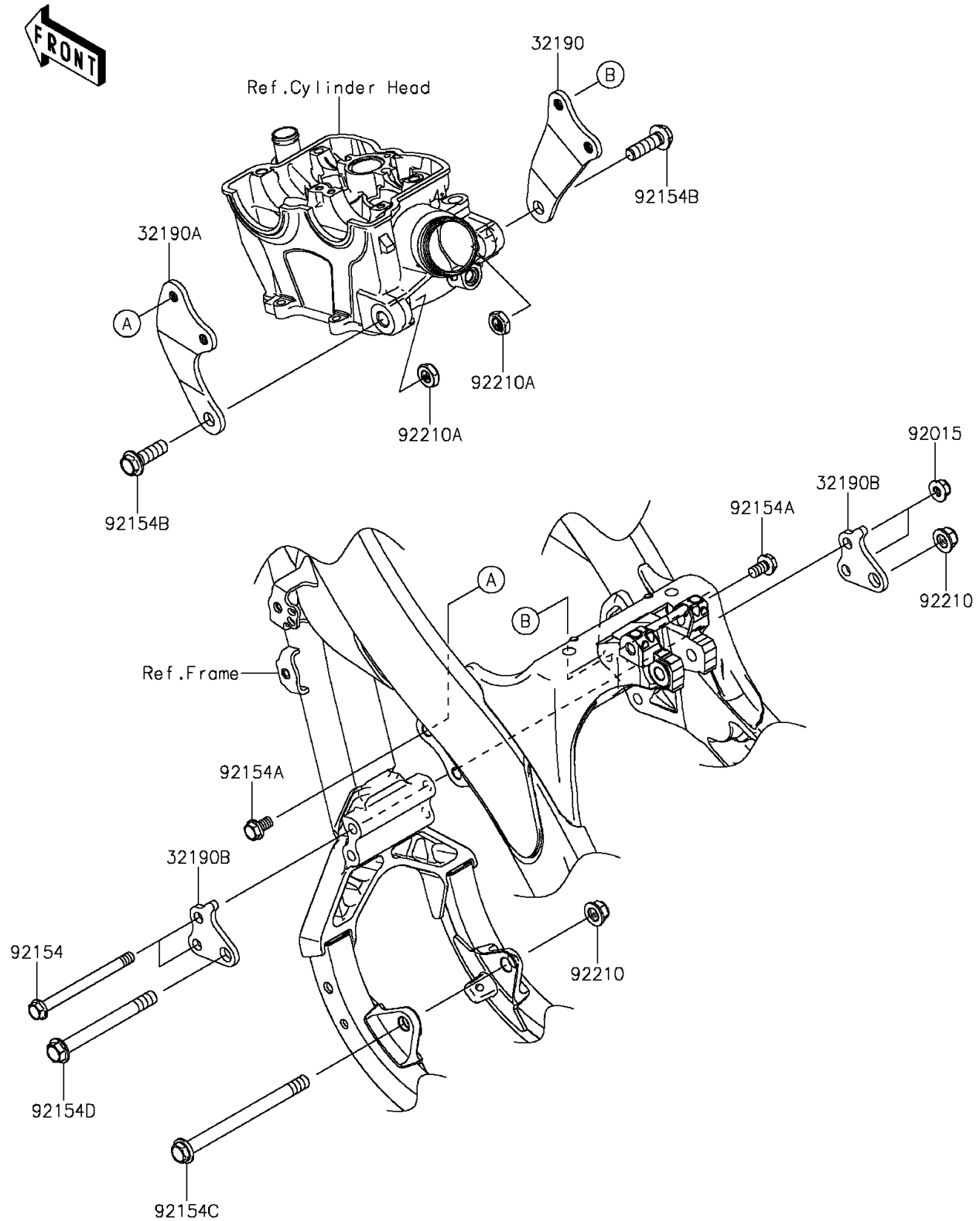


2016 KX™ 250F

PARTS DIAGRAM

Engine Mount

F2122



2016 KX™ 250F

PARTS LIST

Engine Mount

| ITEM NAME | PART NUMBER | QUANTITY |
|--------------------------------------|-------------|----------|
| BRACKET-ENGINE,UPP,RH (Ref # 32190) | 32190-0478 | 1 |
| BRACKET-ENGINE,UPP,LH (Ref # 32190A) | 32190-0607 | 1 |
| BRACKET-ENGINE,FR (Ref # 32190B) | 32190-0655 | 2 |
| NUT,8MM (Ref # 92015) | 92015-1432 | 2 |
| BOLT,FLANGED,8X98 (Ref # 92154) | 92154-0378 | 2 |
| BOLT,FLANGED,8X14 (Ref # 92154A) | 92154-0380 | 4 |
| BOLT,FLANGED,10X32 (Ref # 92154B) | 92154-0381 | 2 |
| BOLT,FLANGED,10X130 (Ref # 92154C) | 92154-0517 | 1 |
| BOLT,FLANGED,10X100 (Ref # 92154D) | 92154-0518 | 1 |
| NUT,LOCK,FLANGED,10MM (Ref # 92210) | 92210-1080 | 2 |
| NUT,LOCK,10MM (Ref # 92210A) | 92210-1184 | 2 |