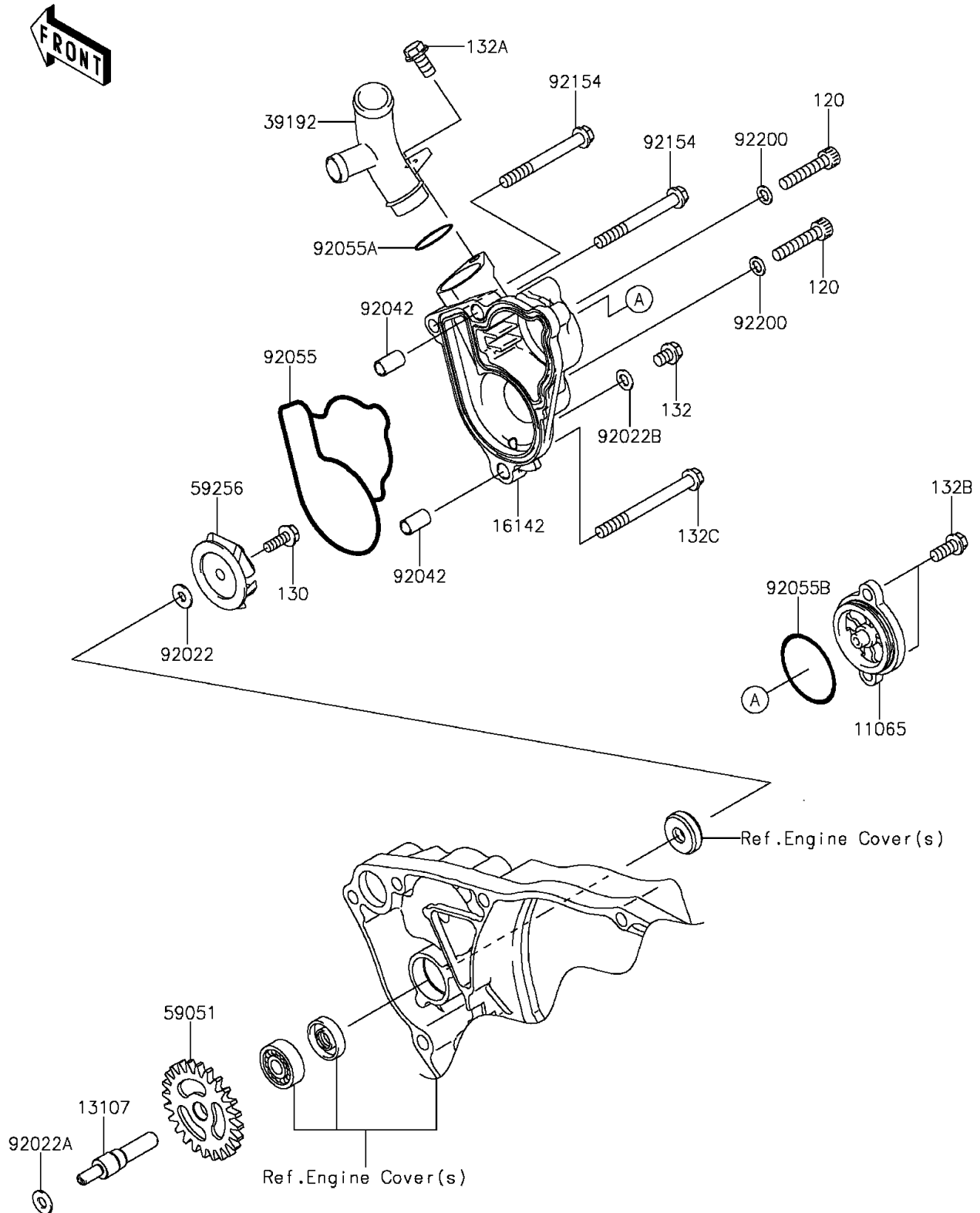


# 2016 KX™ 250F

## PARTS DIAGRAM

### Water Pump

E3031



# 2016 KX™ 250F

## PARTS LIST

### Water Pump

ITEM NAME	PART NUMBER	QUANTITY
CAP (Ref # 11065)	11065-0087	1
BOLT-SOCKET,6X30 (Ref # 120)	120CA0630	2
BOLT-FLANGED,5X14 (Ref # 130)	130CD0514	1
SHAFT,WATER PUMP (Ref # 13107)	13107-0196	1
BOLT-FLANGED-SMALL,6X8 (Ref # 132)	132BA0608	1
BOLT-FLANGED-SMALL,6X12 (Ref # 132A)	132BA0612	1
BOLT-FLANGED-SMALL,6X14 (Ref # 132B)	132BA0614	2
BOLT-FLANGED-SMALL,6X65 (Ref # 132C)	132BA0665	1
COVER-PUMP,WATER (Ref # 16142)	16142-0020	1
PIPE-WATER (Ref # 39192)	39192-0037	1
GEAR-SPUR,WATER PUMP (Ref # 59051)	59051-0061	1
IMPELLER (Ref # 59256)	59256-1065	1
WASHER,5.2X13X1 (Ref # 92022)	92022-1380	1
WASHER,6X12.8X1.2 (Ref # 92022A)	92022-1827	1
WASHER,6.2X11X1 (Ref # 92022B)	92022-304	1
PIN,DOWEL,6.3X8X14 (Ref # 92042)	92042-007	2
RING-O,WATER PUMP (Ref # 92055)	92055-0010	1
RING-O,18.8X2.4 (Ref # 92055A)	92055-1308	1
RING-O,35.2X1.9 (Ref # 92055B)	92055-520	1
BOLT,FLANGED,6X55 (Ref # 92154)	92154-0532	2
WASHER,6.1X10.0X1.0 (Ref # 92200)	92200-0190	2