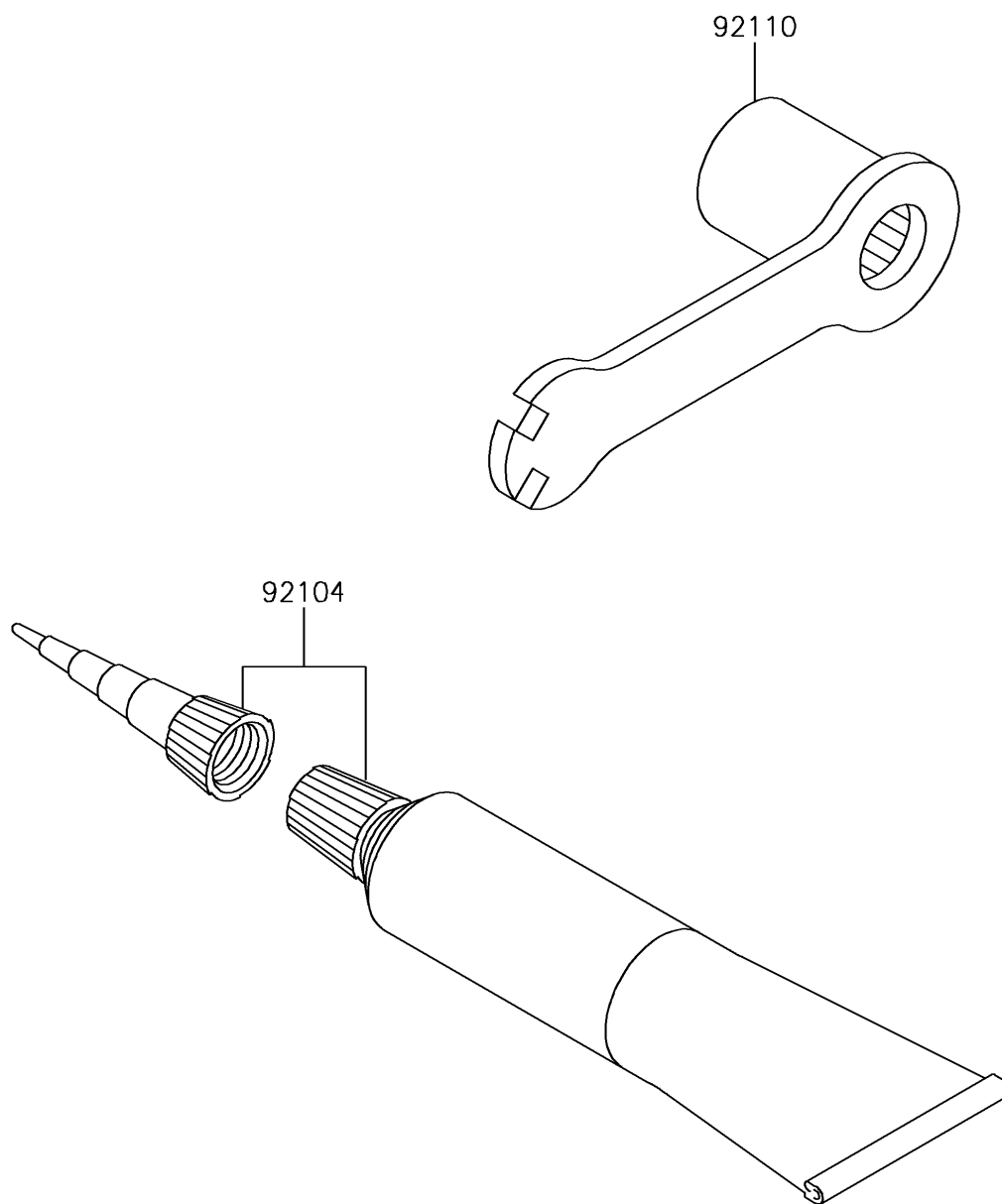


# 2018 KX™ 65

## PARTS DIAGRAM

### Owner's Tools

F2810



# 2018 KX™ 65

## PARTS LIST

### Owner's Tools

**ITEM NAME**

**PART NUMBER**

**QUANTITY**

---