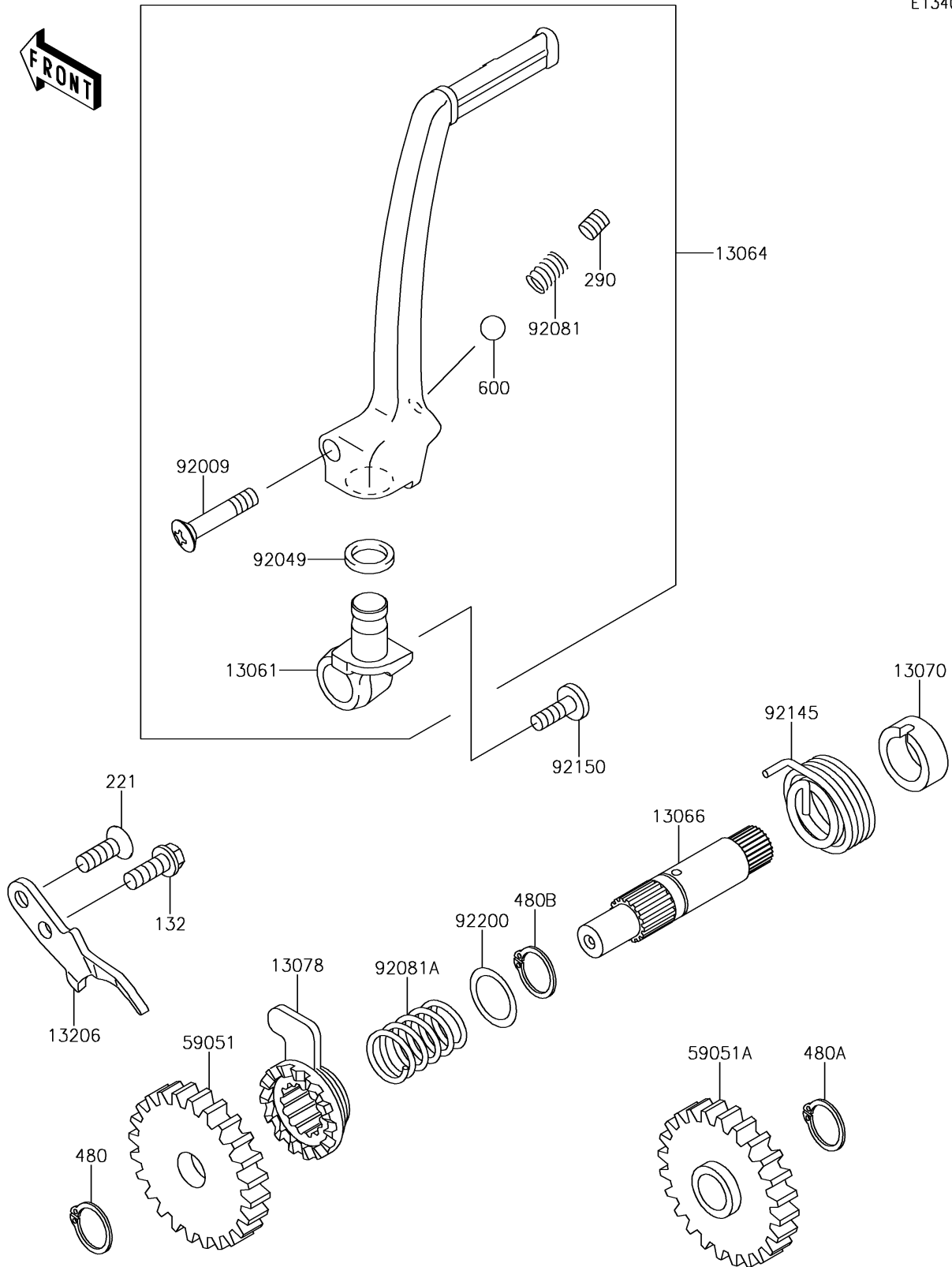


2015 KX™ 65

PARTS DIAGRAM

Kickstarter Mechanism

E1340



2015 KX™ 65

PARTS LIST

Kickstarter Mechanism

ITEM NAME

PART NUMBER

QUANTITY
