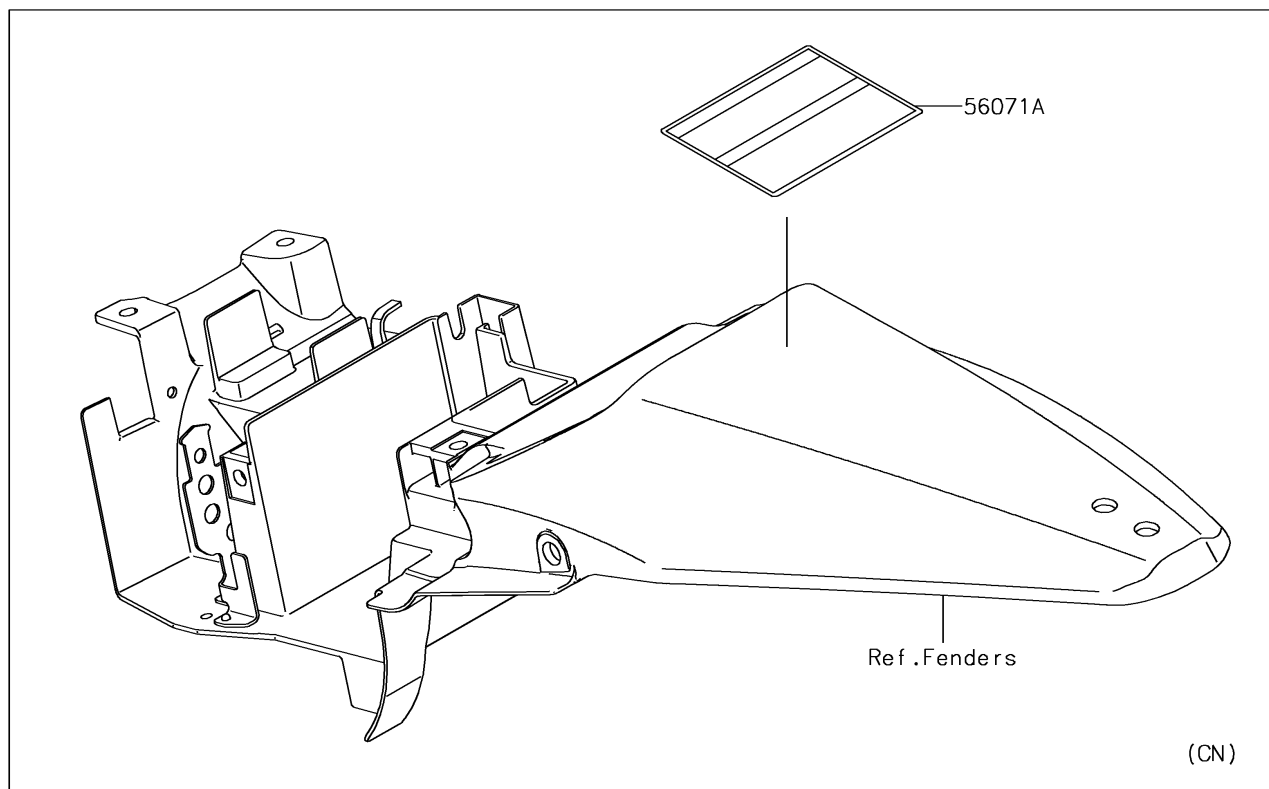
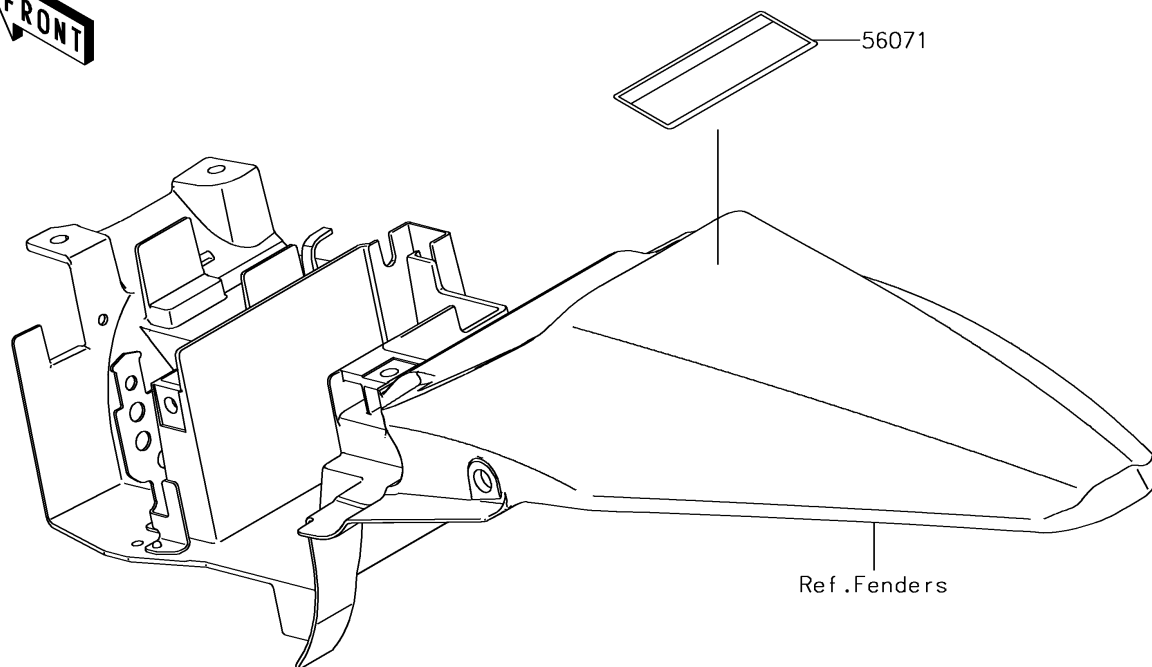


# 2019 KLX<sup>®</sup>110L

## PARTS DIAGRAM

### Labels

F2860



(CN)

# 2019 KLX<sup>®</sup>110L

## PARTS LIST

### Labels

**ITEM NAME**

**PART NUMBER**

**QUANTITY**

---