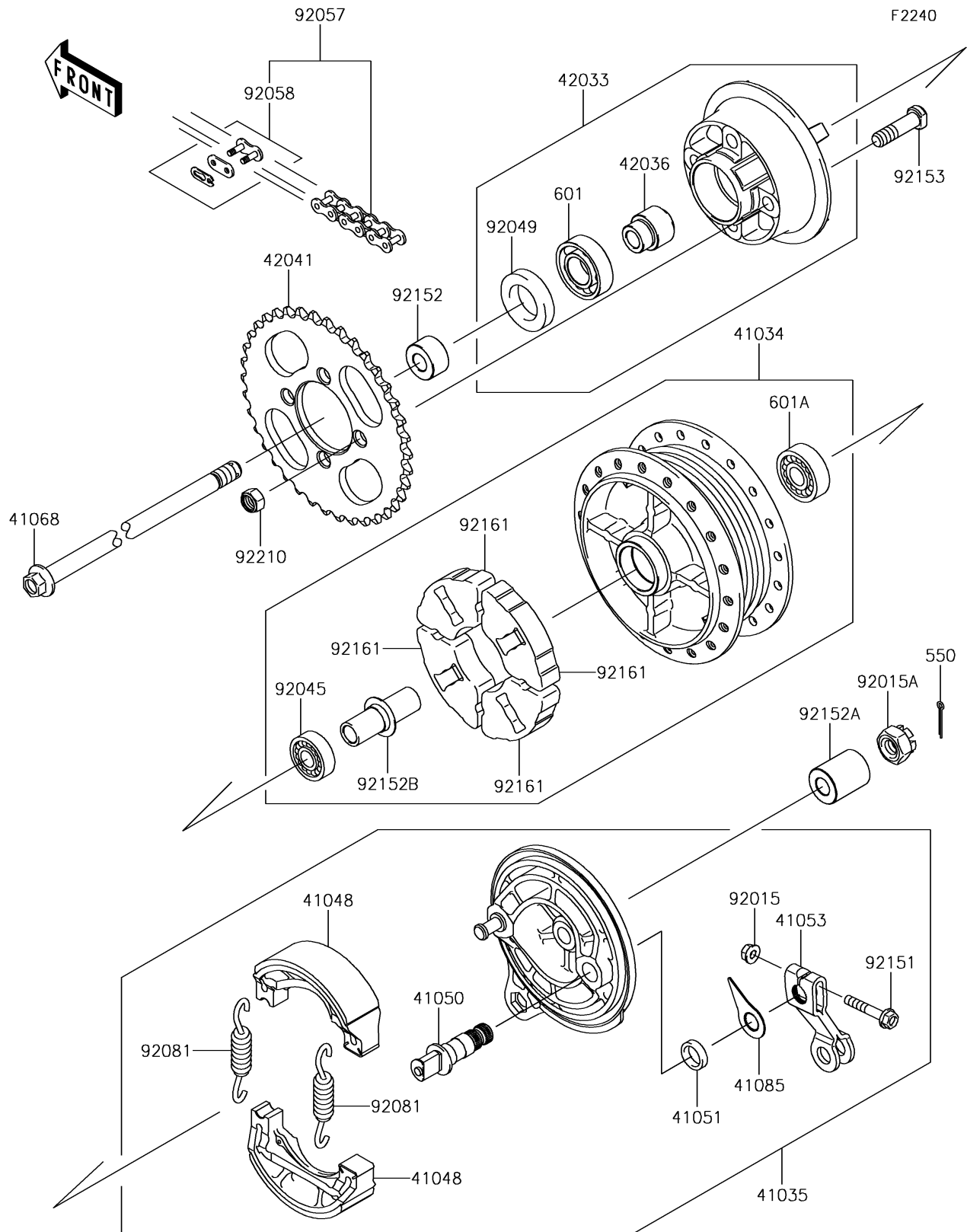


2018 KLX[®]110L

PARTS DIAGRAM

Rear Hub



2018 KLX[®]110L

PARTS LIST

Rear Hub

| ITEM NAME | PART NUMBER | QUANTITY |
|--|-------------|----------|
| DRUM-ASSY,REAR BRAKE (Ref # 41034) | 41034-0010 | 1 |
| PANEL-ASSY-BRAKE,RR (Ref # 41035) | 41035-0084 | 1 |
| SHOE-BRAKE (Ref # 41048) | 41048-1141 | 2 |
| CAM-BRAKE (Ref # 41050) | 41050-1082 | 1 |
| SEAL,BRAKE CAM (Ref # 41051) | 41051-001 | 1 |
| LEVER-BRAKE CAM (Ref # 41053) | 41053-0021 | 1 |
| AXLE,RR (Ref # 41068) | 41068-0016 | 1 |
| INDICATOR (Ref # 41085) | 41085-1085 | 1 |
| COUPLING-ASSY,RR HUB (Ref # 42033) | 42033-1223 | 1 |
| SLEEVE,RR HUB COUPLING,L=29 (Ref # 42036) | 42036-1292 | 1 |
| SPROCKET-HUB,38T (Ref # 42041) | 42041-0082 | 1 |
| PIN-COTTER,2.5X30 (Ref # 550) | 550S2530 | 1 |
| BEARING-BALL,#6004UG (Ref # 601) | 601B6004UG | 1 |
| BEARING-BALL,#6301UG (Ref # 601A) | 601B6301UG | 1 |
| NUT,FLANGED,6MM (Ref # 92015) | 92015-1367 | 1 |
| NUT,CASTLE,12MM (Ref # 92015A) | 92015-1870 | 1 |
| BEARING-BALL,6201ZC3/5C (Ref # 92045) | 92045-1308 | 1 |
| SEAL-OIL,SC26X42X8 (Ref # 92049) | 92049-1490 | 1 |
| CHAIN,DRIVE,DID420DXX90L (Ref # 92057) | 92057-0183 | 1 |
| JOINT-CHAIN,DRIVE (Ref # 92058) | 92058-0006 | 1 |
| SPRING,BRAKE SHOE (Ref # 92081) | 92081-1766 | 2 |
| BOLT,FLANGED,6X34 (Ref # 92151) | 92151-1209 | 1 |
| COLLAR,RR AXLE,LH,L=14.8 (Ref # 92152) | 92152-1405 | 1 |
| COLLAR,RR AXLE,RH,L=32 (Ref # 92152A) | 92152-1406 | 1 |
| COLLAR,REAR BRAKE DRUM,L=58 (Ref # 92152B) | 92152-1409 | 1 |
| BOLT,10X36 (Ref # 92153) | 92153-1120 | 4 |
| DAMPER,RR HUB SHOCK (Ref # 92161) | 92161-0084 | 4 |
| NUT,LOCK,10MM (Ref # 92210) | 92210-1351 | 4 |