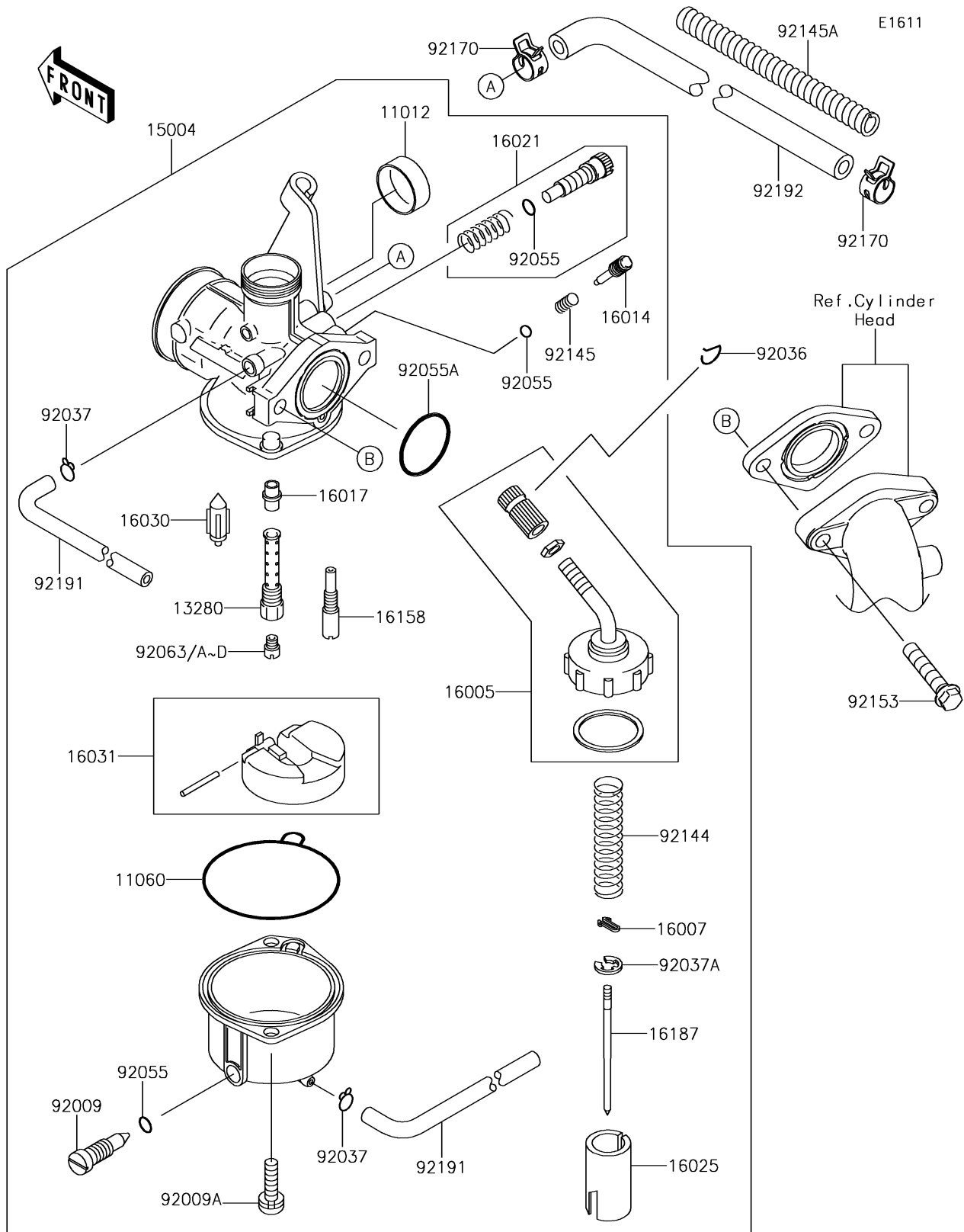


2015 KLX[®]110

PARTS DIAGRAM

Carburetor



2015 KLX[®]110

PARTS LIST

Carburetor

| ITEM NAME | PART NUMBER | QUANTITY |
|--------------------------------------|-------------|----------|
| CAP,CHOKE (Ref # 11012) | 11012-1940 | 1 |
| GASKET,FLOAT CHAMBER (Ref # 11060) | 11060-1700 | 1 |
| HOLDER,NEEDLE JET (Ref # 13280) | 13280-0359 | 1 |
| CARBURETOR-ASSY,PB18 (Ref # 15004) | 15004-0065 | 1 |
| TOP-CHAMBER (Ref # 16005) | 16005-1091 | 1 |
| SEAT-SPRING (Ref # 16007) | 16007-1103 | 1 |
| SCREW-PILOT AIR (Ref # 16014) | 16014-0011 | 1 |
| JET-NEEDLE (Ref # 16017) | 16017-1434 | 1 |
| SCREW-THROTTLE STOP (Ref # 16021) | 16021-1241 | 1 |
| VALVE-THROTTLE,CA3.0 (Ref # 16025) | 16025-1209 | 1 |
| VALVE-FLOAT,FLOAT (Ref # 16030) | 16030-0002 | 1 |
| FLOAT (Ref # 16031) | 16031-1088 | 1 |
| JET-SLOW,#40 (Ref # 16158) | 16158-0005 | 1 |
| NEEDLE-JET,NCFA (Ref # 16187) | 16187-1228 | 1 |
| SCREW,DRAIN (Ref # 92009) | 92009-1057 | 1 |
| SCREW (Ref # 92009A) | 92009-1750 | 2 |
| RING-SNAP (Ref # 92036) | 92036-018 | 1 |
| CLAMP,TUBE (Ref # 92037) | 92037-1142 | 2 |
| CLAMP,JET NEEDLE (Ref # 92037A) | 92037-1401 | 1 |
| RING-O (Ref # 92055) | 92055-1053 | 3 |
| RING-O (Ref # 92055A) | 92055-1541 | 1 |
| JET-MAIN,#78 (Ref # 92063) | 92063-1393 | 1 |
| JET-MAIN,#72 (Ref # 92063A) | 92063-1394 | AR |
| JET-MAIN,#75 (Ref # 92063B) | 92063-1395 | AR |
| JET-MAIN,#80 (Ref # 92063C) | 92063-1396 | AR |
| JET-MAIN,#82 (Ref # 92063D) | 92063-1397 | AR |
| SPRING,THROTTLE (Ref # 92144) | 92144-1875 | 1 |
| SPRING (Ref # 92145) | 92145-0004 | 1 |
| SPRING,HOSE PROTECTOR (Ref # 92145A) | 92145-1481 | 1 |

2015 KLX[®]110

PARTS LIST

Carburetor

| ITEM NAME | PART NUMBER | QUANTITY |
|---------------------------------------|-------------|----------|
| BOLT,FLANGED-SMALL,6X28 (Ref # 92153) | 92153-1309 | 2 |
| CLAMP (Ref # 92170) | 92170-1872 | 2 |
| TUBE,3.5X6.5X418 (Ref # 92191) | 92191-1735 | 2 |
| TUBE,5.8X10.8X277 (Ref # 92192) | 92192-0583 | 1 |