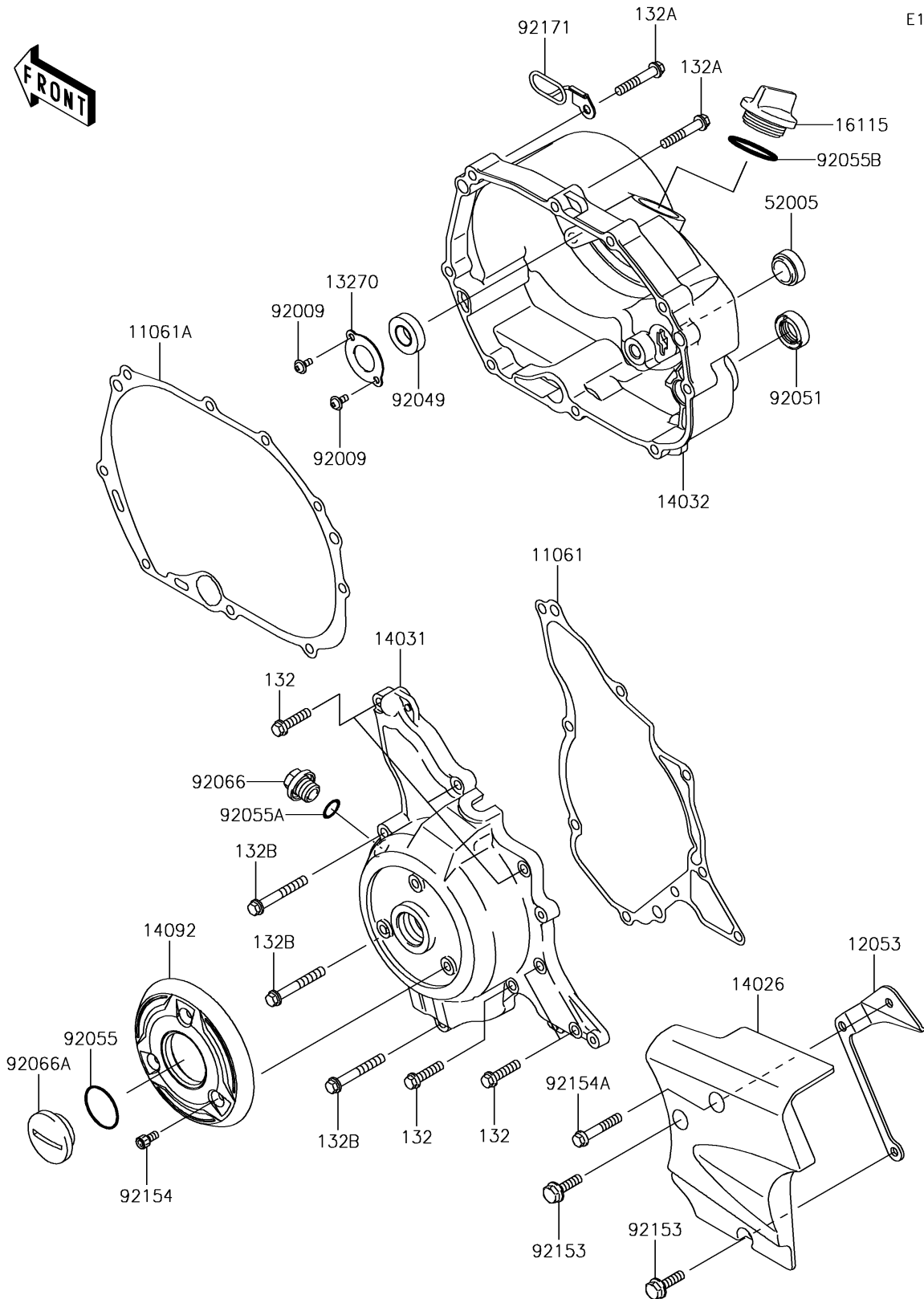


2018 KLX[®]110

PARTS DIAGRAM

Engine Cover(s)

E1431



2018 KLX[®]110

PARTS LIST

Engine Cover(s)

| ITEM NAME | PART NUMBER | QUANTITY |
|---|---------------|----------|
| GASKET,GENERATOR COVER (Ref # 11061) | 11061-0257 | 1 |
| GASKET,CLUTCH COVER (Ref # 11061A) | 11061-0426 | 1 |
| GUIDE-CHAIN (Ref # 12053) | 12053-0164 | 1 |
| BOLT-FLANGED-SMALL,6X25 (Ref # 132) | 132BD0625 | 6 |
| PLATE (Ref # 13270) | 13270-1800 | 1 |
| BOLT-FLANGED-SMALL,6X35 (Ref # 132A) | 132BD0635 | 9 |
| BOLT-FLANGED-SMALL,6X45 (Ref # 132B) | 132BD0645 | 3 |
| COVER-CHAIN (Ref # 14026) | 14026-0070 | 1 |
| COVER-GENERATOR,SILVER (Ref # 14031) | 14031-0119-GS | 1 |
| COVER-CLUTCH (Ref # 14032) | 14032-0129 | 1 |
| COVER (Ref # 14092) | 14092-0029 | 1 |
| CAP-OIL FILLER (Ref # 16115) | 16115-1068 | 1 |
| GAUGE,OIL LEVEL (Ref # 52005) | 52005-0019 | 1 |
| SCREW (Ref # 92009) | 92009-1745 | 2 |
| SEAL-OIL,S 12 28 7 HS (Ref # 92049) | 92049-0051 | 1 |
| SEAL-OIL,TB16267 (Ref # 92051) | 92051-003 | 1 |
| RING-O,25.7X2.4 (Ref # 92055) | 92055-0154 | 1 |
| RING-O,14.8X2.4 (Ref # 92055A) | 92055-0194 | 1 |
| RING-O,31.5X2.6 (Ref # 92055B) | 92055-049 | 1 |
| PLUG,14X10 (Ref # 92066) | 92066-0724 | 1 |
| PLUG,GENERATOR COVER CAP (Ref # 92066A) | 92066-1565 | 1 |
| BOLT,6X20 (Ref # 92153) | 92153-1184 | 2 |
| BOLT,SOCKET,5X10 (Ref # 92154) | 92154-0789 | 3 |
| BOLT,FLANGED,6X35 (Ref # 92154A) | 92154-1297 | 1 |
| CLAMP,DRAIN TUBE (Ref # 92171) | 92171-1124 | 1 |