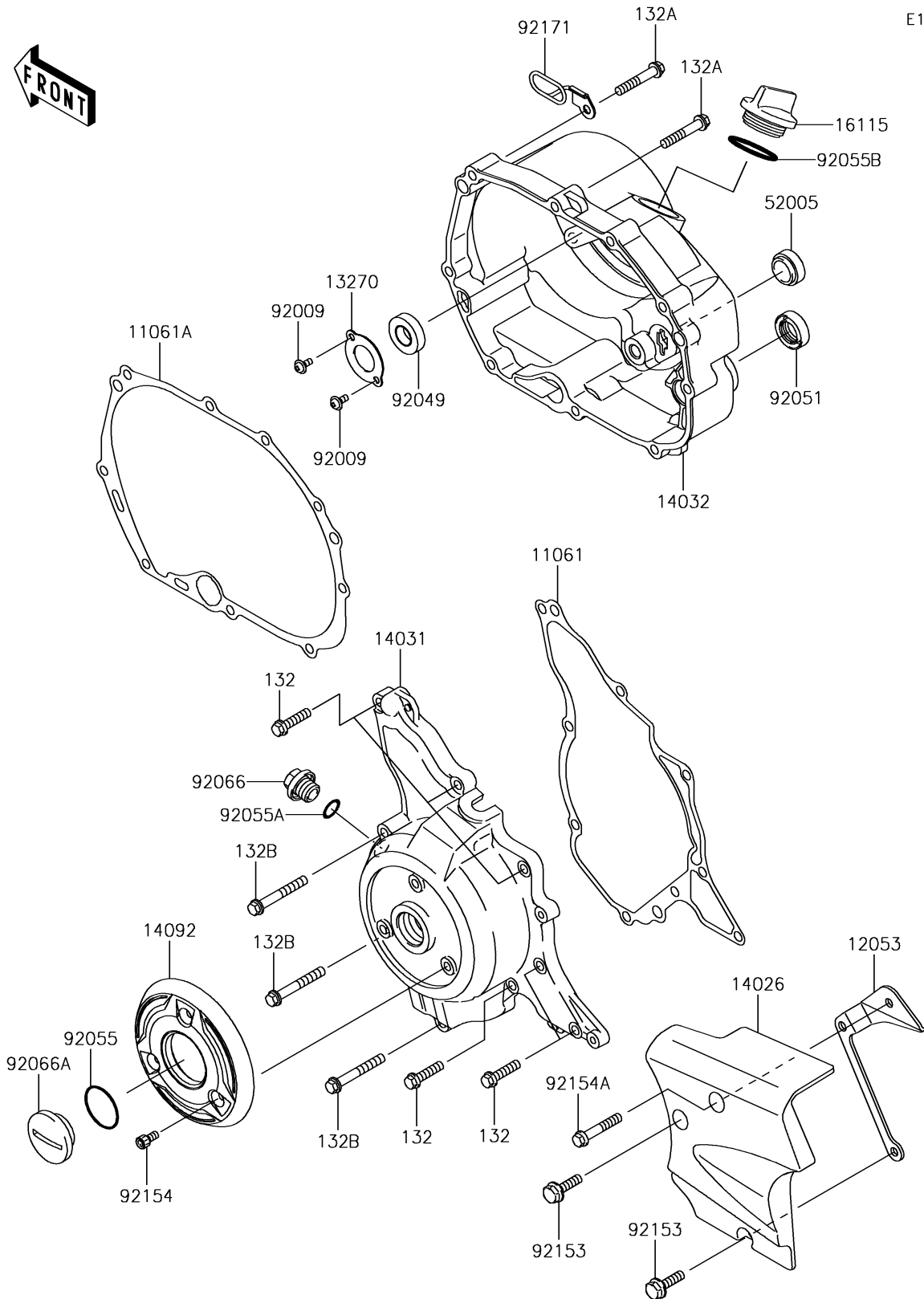


# 2015 KLX<sup>®</sup>110

## PARTS DIAGRAM

### Engine Cover(s)

E1431



# 2015 KLX<sup>®</sup>110

## PARTS LIST

### Engine Cover(s)

| ITEM NAME                               | PART NUMBER   | QUANTITY |
|---|---------------|----------|
| GASKET,GENERATOR COVER (Ref # 11061)    | 11061-0257    | 1        |
| GASKET,CLUTCH COVER (Ref # 11061A)      | 11061-0426    | 1        |
| GUIDE-CHAIN (Ref # 12053)               | 12053-0164    | 1        |
| BOLT-FLANGED-SMALL,6X25 (Ref # 132)     | 132BD0625     | 6        |
| PLATE (Ref # 13270)                     | 13270-1800    | 1        |
| BOLT-FLANGED-SMALL,6X35 (Ref # 132A)    | 132BD0635     | 9        |
| BOLT-FLANGED-SMALL,6X45 (Ref # 132B)    | 132BD0645     | 3        |
| COVER-CHAIN (Ref # 14026)               | 14026-0070    | 1        |
| COVER-GENERATOR,SILVER (Ref # 14031)    | 14031-0119-GS | 1        |
| COVER-CLUTCH (Ref # 14032)              | 14032-0129    | 1        |
| COVER (Ref # 14092)                     | 14092-0029    | 1        |
| CAP-OIL FILLER (Ref # 16115)            | 16115-1068    | 1        |
| GAUGE,OIL LEVEL (Ref # 52005)           | 52005-0019    | 1        |
| SCREW (Ref # 92009)                     | 92009-1745    | 2        |
| SEAL-OIL,S 12 28 7 HS (Ref # 92049)     | 92049-0051    | 1        |
| SEAL-OIL,TB16267 (Ref # 92051)          | 92051-003     | 1        |
| RING-O,25.7X2.4 (Ref # 92055)           | 92055-0154    | 1        |
| RING-O,14.8X2.4 (Ref # 92055A)          | 92055-0194    | 1        |
| RING-O,31.5X2.6 (Ref # 92055B)          | 92055-049     | 1        |
| PLUG,14X10 (Ref # 92066)                | 92066-0724    | 1        |
| PLUG,GENERATOR COVER CAP (Ref # 92066A) | 92066-1565    | 1        |
| BOLT,6X20 (Ref # 92153)                 | 92153-1184    | 2        |
| BOLT,SOCKET,5X10 (Ref # 92154)          | 92154-0789    | 3        |
| BOLT,FLANGED,6X35 (Ref # 92154A)        | 92154-1297    | 1        |
| CLAMP,DRAIN TUBE (Ref # 92171)          | 92171-1124    | 1        |