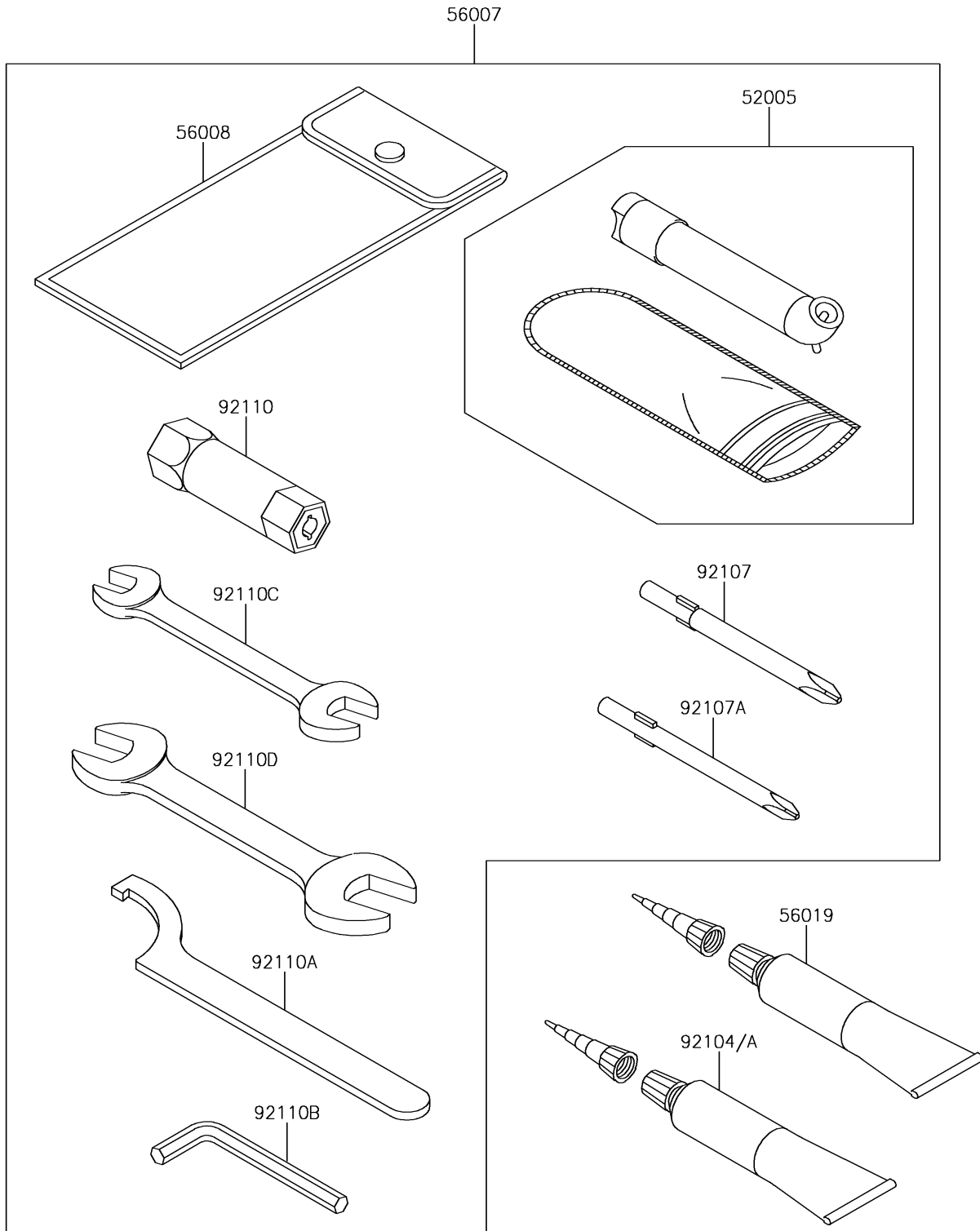


2019 BRUTE FORCE® 750 4x4i EPS

PARTS DIAGRAM

Owner's Tools

F2810



2019 BRUTE FORCE® 750 4x4i EPS



PARTS LIST Owner's Tools

ITEM NAME	PART NUMBER	QUANTITY
-----------	-------------	----------
