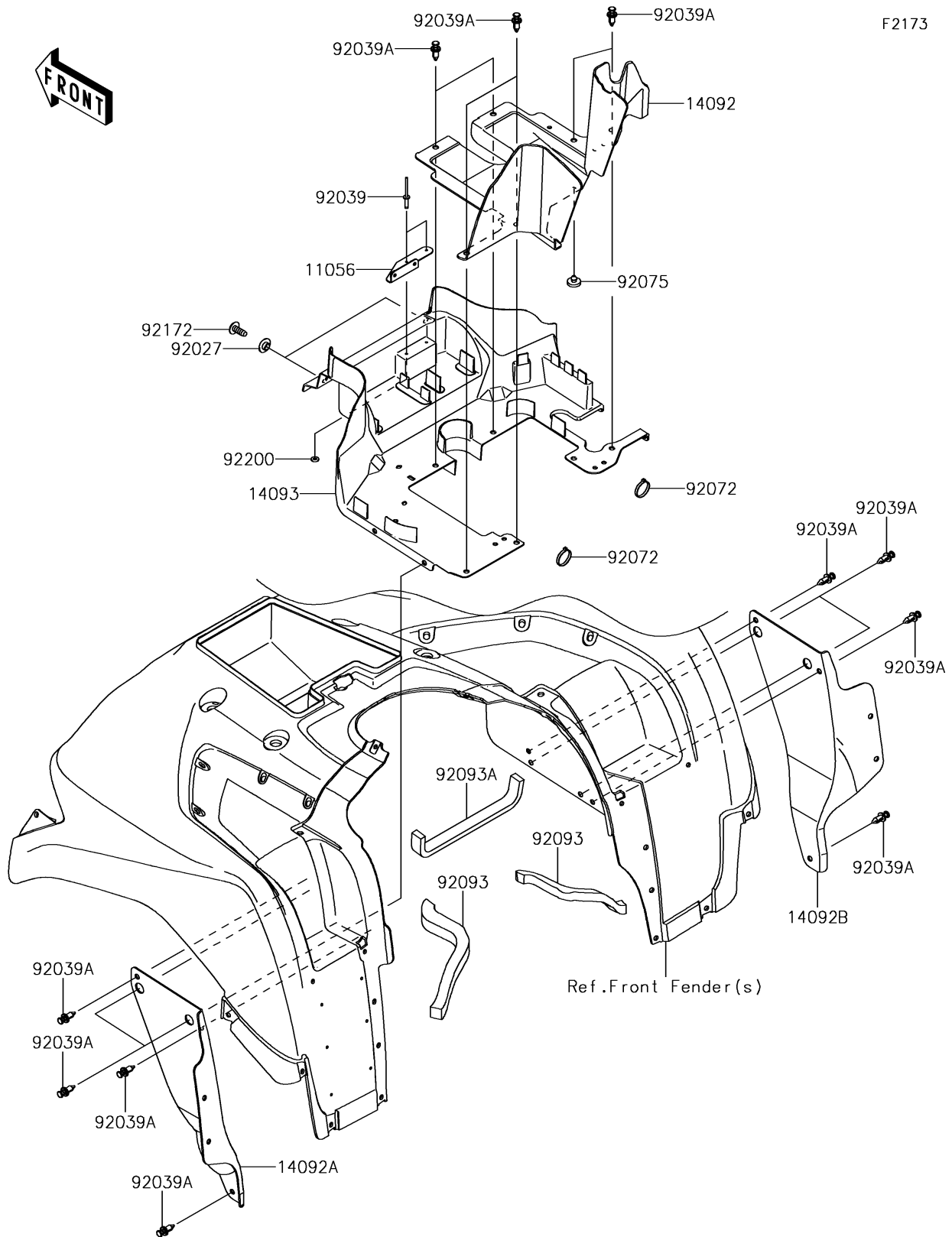


# 2019 BRUTE FORCE® 750 4x4i EPS

## PARTS DIAGRAM

### Flap



# 2019 BRUTE FORCE® 750 4x4i EPS



## PARTS LIST

Flap

ITEM NAME	PART NUMBER	QUANTITY
-----------	-------------	----------

---