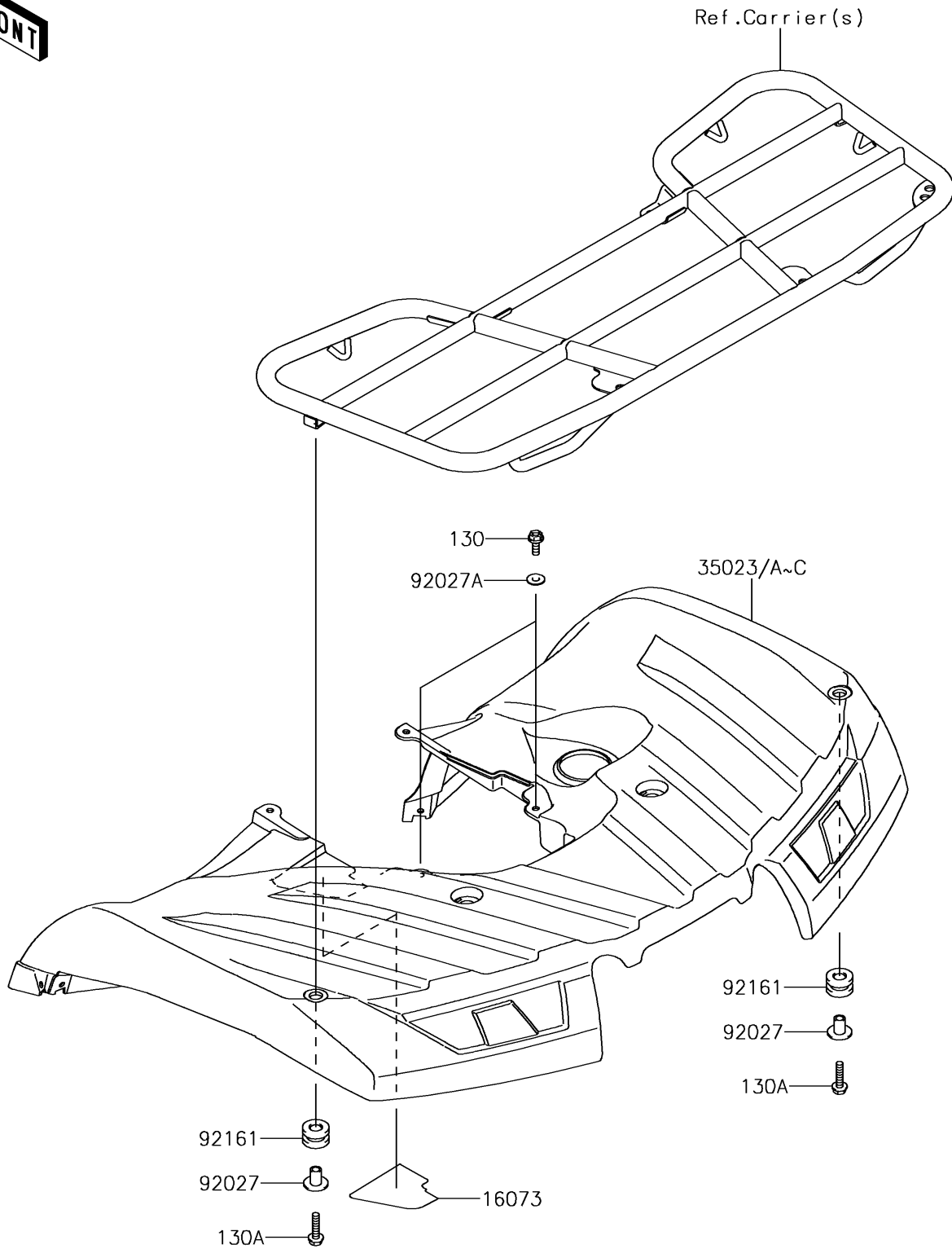


# 2016 BRUTE FORCE® 750 4x4i EPS

## PARTS DIAGRAM

### Rear Fender(s)

F2172



# 2016 BRUTE FORCE® 750 4x4i EPS

## PARTS LIST

### Rear Fender(s)

ITEM NAME	PART NUMBER	QUANTITY
BOLT-FLANGED,6X16 (Ref # 130)	130BA0616	2
BOLT-FLANGED,6X25 (Ref # 130A)	130BA0625	2
INSULATOR (Ref # 16073)	16073-0806	1
FENDER-REAR,B.WHITE (Ref # 35023)	35023-0197-266	1
COLLAR,L=16.1 (Ref # 92027)	92027-1847	2
COLLAR (Ref # 92027A)	92027-4020	2
DAMPER (Ref # 92161)	92161-0106	2