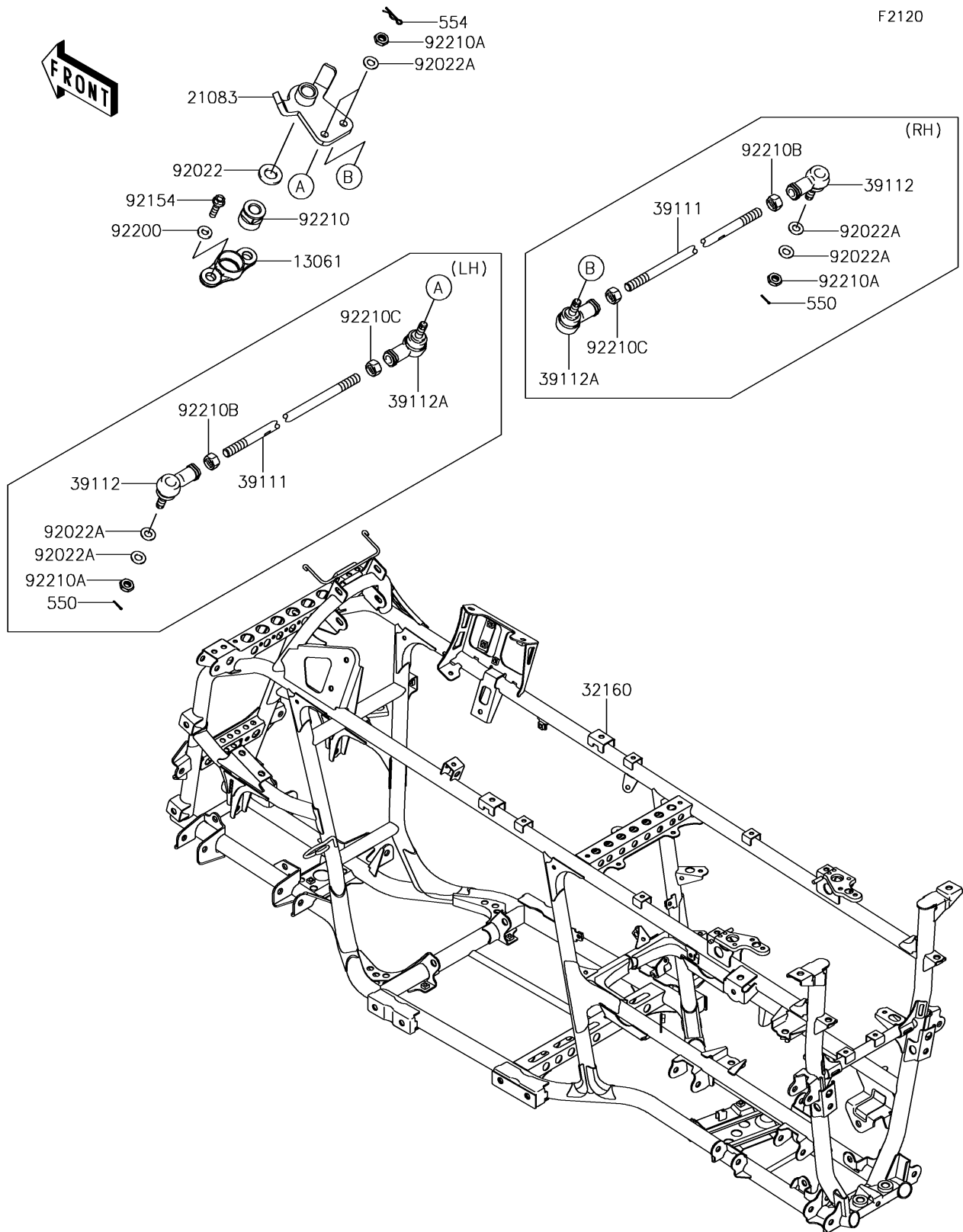


2019 BRUTE FORCE® 750 4x4i EPS

PARTS DIAGRAM

Frame



2019 BRUTE FORCE® 750 4x4i EPS



PARTS LIST

Frame

ITEM NAME	PART NUMBER	QUANTITY
-----------	-------------	----------
