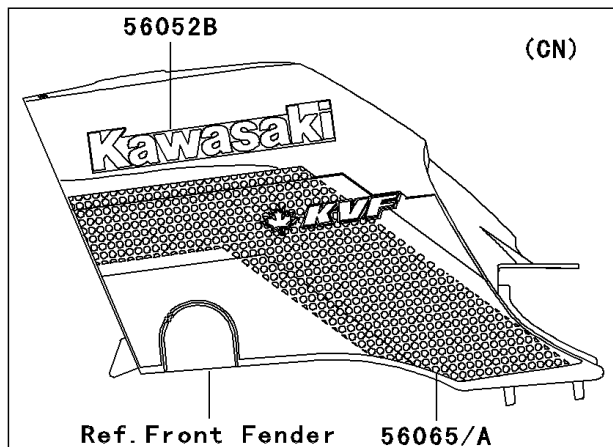
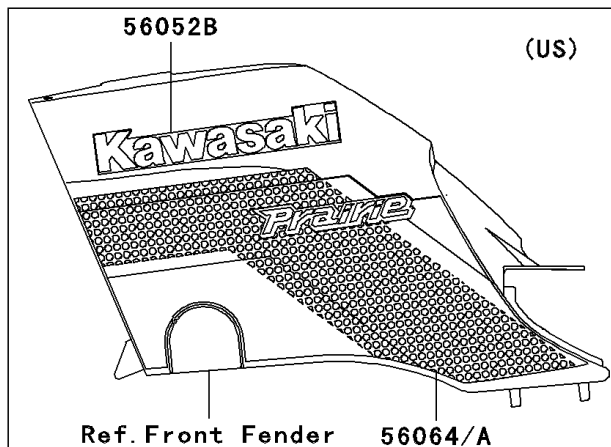
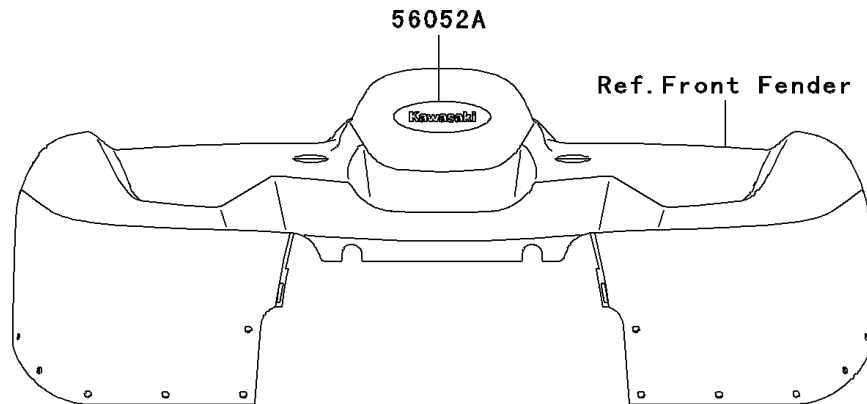


# 2002 Prairie 300 4X4

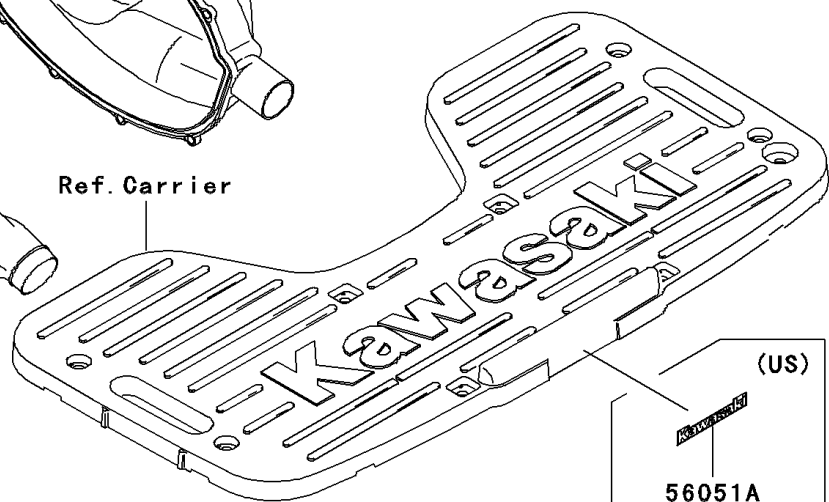
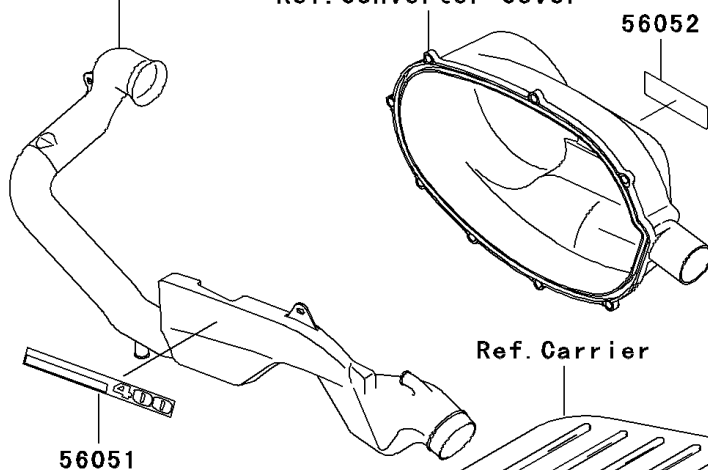
## PARTS DIAGRAM

### Decals(Red)(A4)

F2861G



Ref. Air Cleaner    Ref. Converter Cover



# 2002 Prairie 300 4X4

## PARTS LIST

Decals(Red)(A4)

**ITEM NAME**

**PART NUMBER**

**QUANTITY**

---