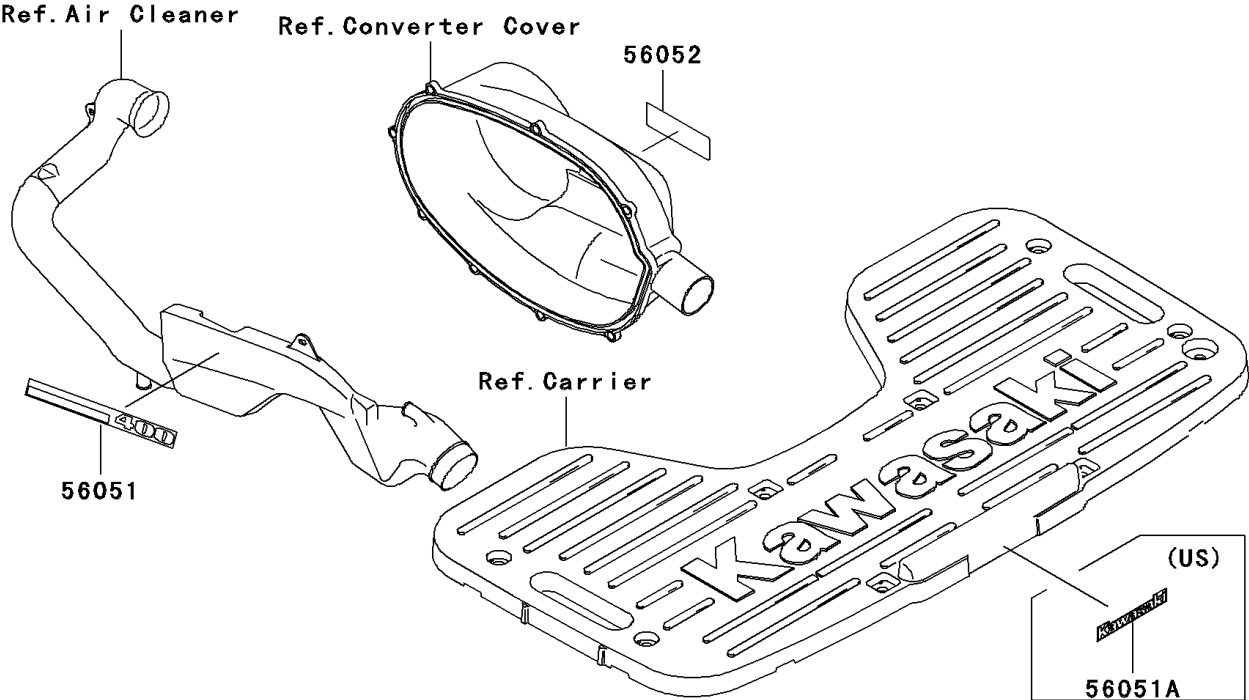
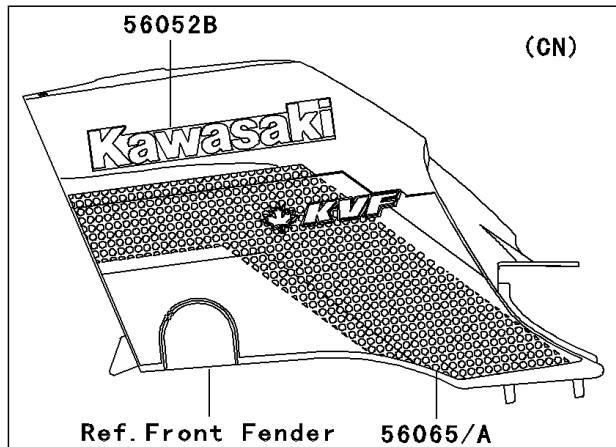
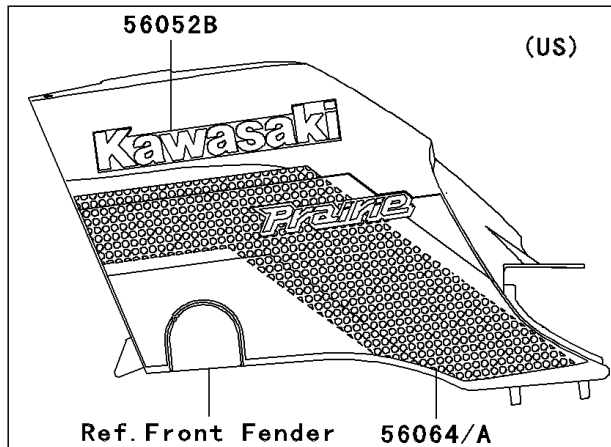
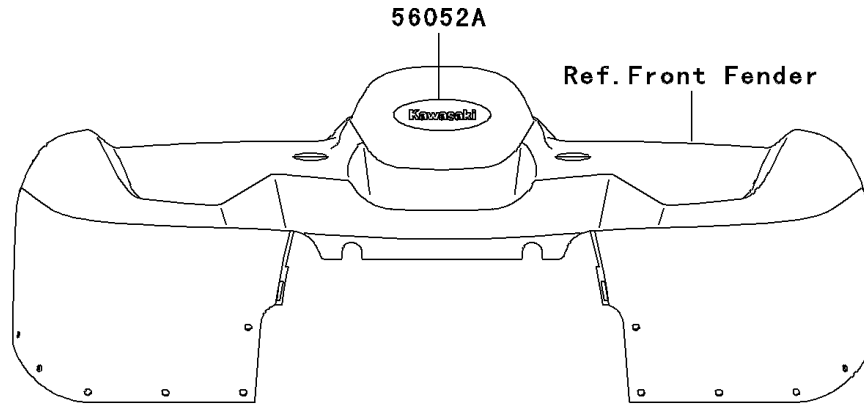


# 2002 Prairie 300 4X4

## PARTS DIAGRAM

### Decals(Green)(A4)

F2861F



# 2002 Prairie 300 4X4

## PARTS LIST

Decals(Green)(A4)

**ITEM NAME**

**PART NUMBER**

**QUANTITY**

---