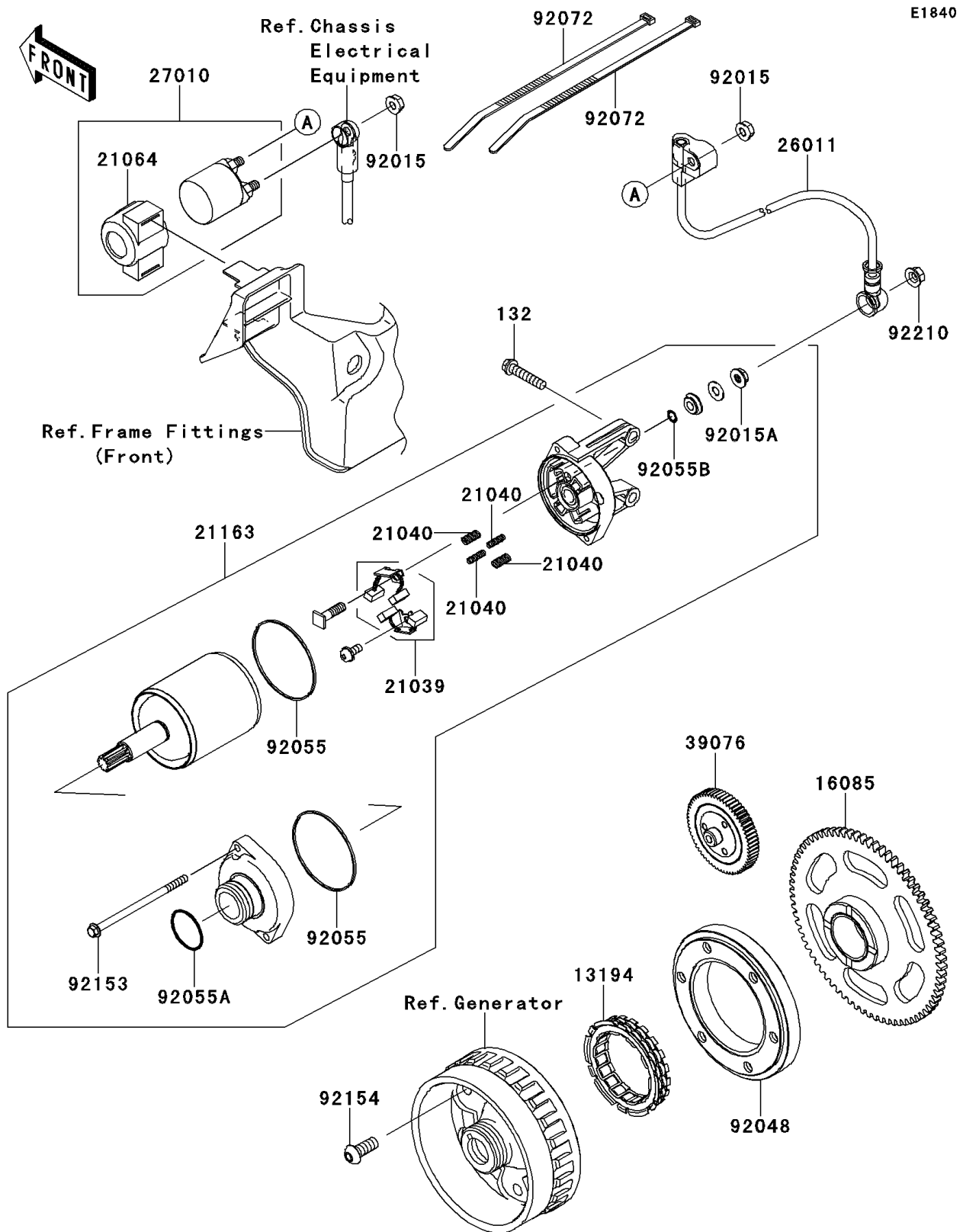


2012 TERYX4™ 750 4x4 EPS LE

PARTS DIAGRAM

Starter Motor



2012 TERYX4™ 750 4x4 EPS LE

PARTS LIST

Starter Motor

| ITEM NAME | PART NUMBER | QUANTITY |
|--------------------------------------|-------------|----------|
| CLUTCH-ONEWAY (Ref # 13194) | 13194-1094 | 1 |
| BOLT-FLANGED-SMALL,6X30 (Ref # 132) | 132BD0630 | 2 |
| GEAR,STARTER (Ref # 16085) | 16085-0591 | 1 |
| BRUSH,CARBON (Ref # 21039) | 21039-0004 | 1 |
| SPRING-BRUSH (Ref # 21040) | 21040-0003 | 4 |
| DAMPER,MAGNETIC SWITCH (Ref # 21064) | 21064-002 | 1 |
| STARTER-ELECTRIC (Ref # 21163) | 21163-0037 | 1 |
| WIRE-LEAD,STARTER (Ref # 26011) | 26011-0708 | 1 |
| SWITCH,MAGNETIC (Ref # 27010) | 27010-1098 | 1 |
| LIMITER,STARTER (Ref # 39076) | 39076-0555 | 1 |
| NUT,FLANGED,6MM (Ref # 92015) | 92015-1367 | 2 |
| NUT,STARTER MOTOR (Ref # 92015A) | 92015-1476 | 1 |
| RACE,ONEWAY CLUTCH (Ref # 92048) | 92048-0553 | 1 |
| RING-O (Ref # 92055) | 92055-0136 | 2 |
| RING-O (Ref # 92055A) | 92055-1276 | 1 |
| RING-O,4.5X2.0 (Ref # 92055B) | 92055-1370 | 1 |
| BAND,L=292.1 (Ref # 92072) | 92072-3509 | 2 |
| BOLT (Ref # 92153) | 92153-1850 | 2 |
| BOLT,TORX,8X20 (Ref # 92154) | 92154-0421 | 6 |
| NUT,6MM (Ref # 92210) | 92210-0188 | 1 |