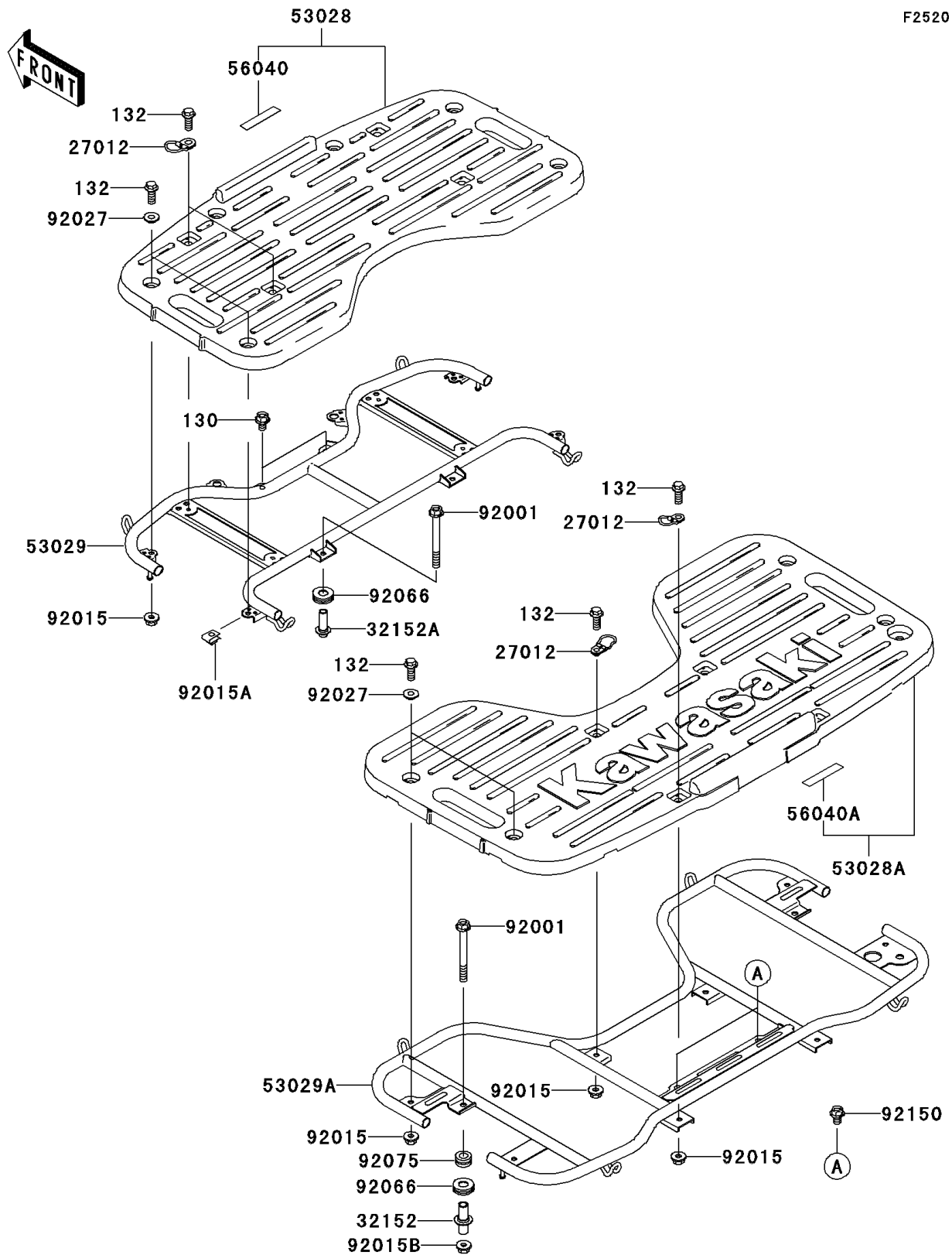


# 2002 Prairie 300 4X4

## PARTS DIAGRAM

### Carrier(s)



# 2002 Prairie 300 4X4

## PARTS LIST

Carrier(s)

**ITEM NAME**

**PART NUMBER**

**QUANTITY**

---