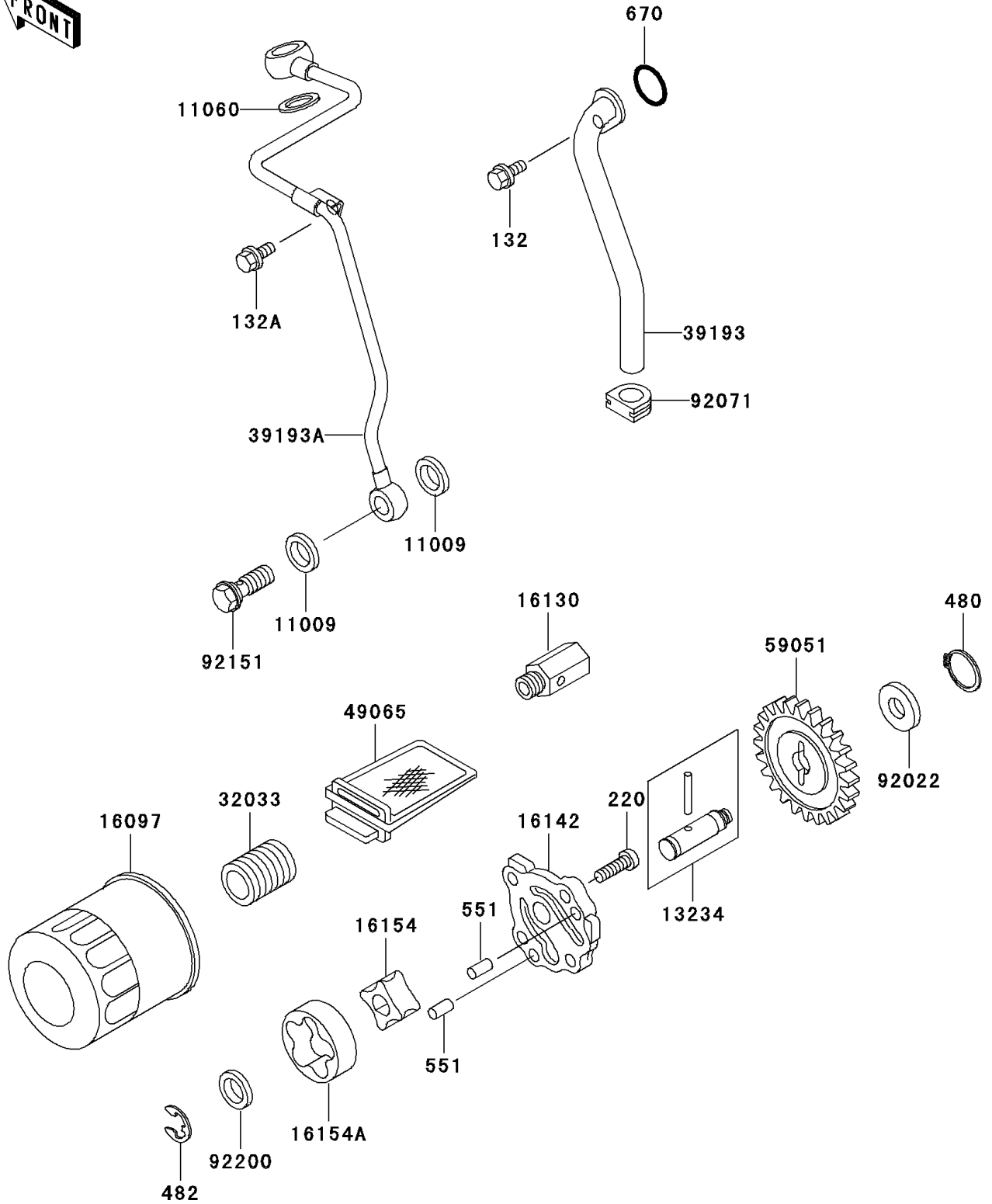


# 1999 Prairie 300 4X4

## PARTS DIAGRAM

### Oil Pump/Oil Filter

E1710



# 1999 Prairie 300 4X4

## PARTS LIST

Oil Pump/Oil Filter

**ITEM NAME**

**PART NUMBER**

**QUANTITY**

---