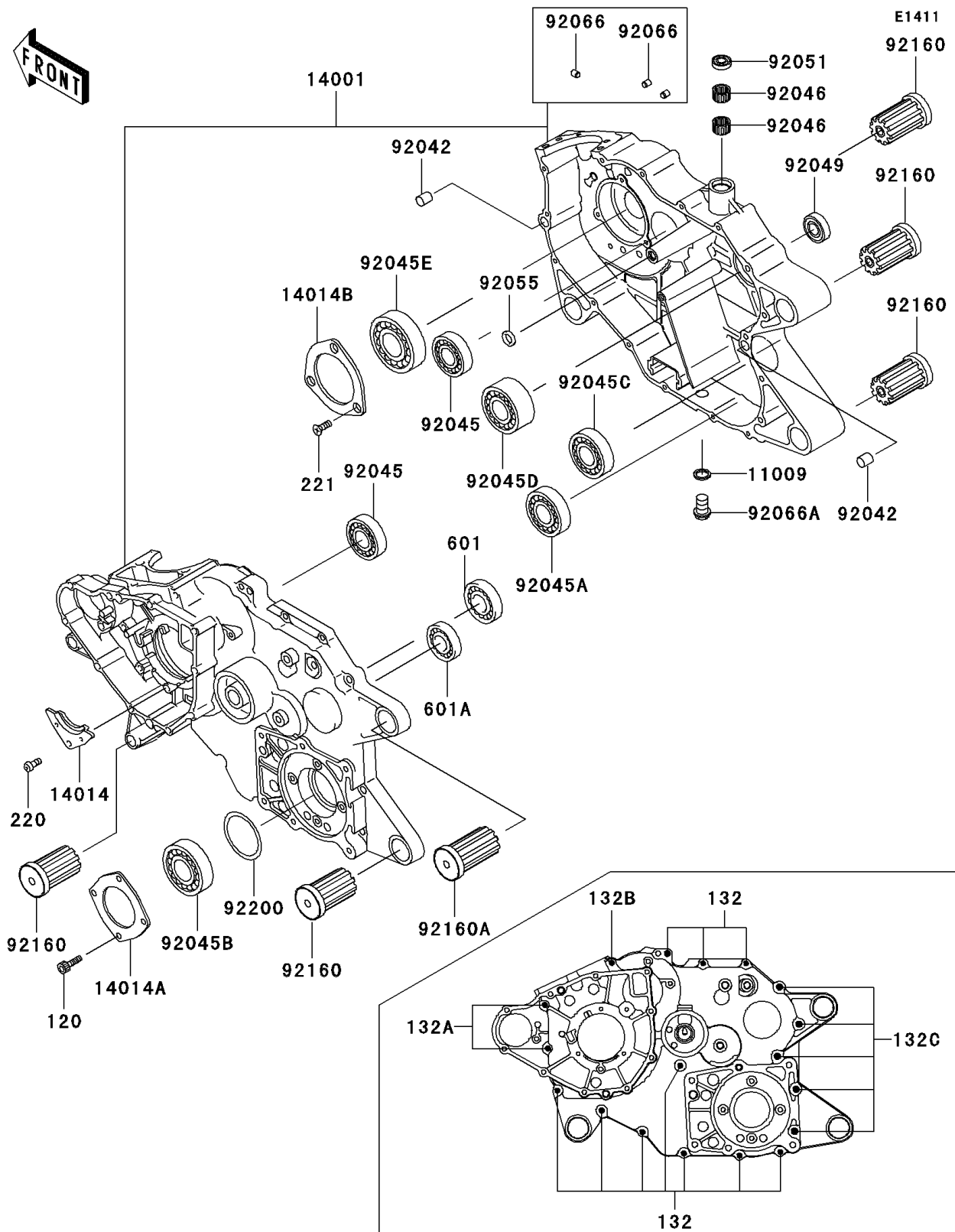


# 1999 Prairie 300 4X4

## PARTS DIAGRAM

### Crankcase



# 1999 Prairie 300 4X4

## PARTS LIST

### Crankcase

**ITEM NAME**

**PART NUMBER**

**QUANTITY**

---