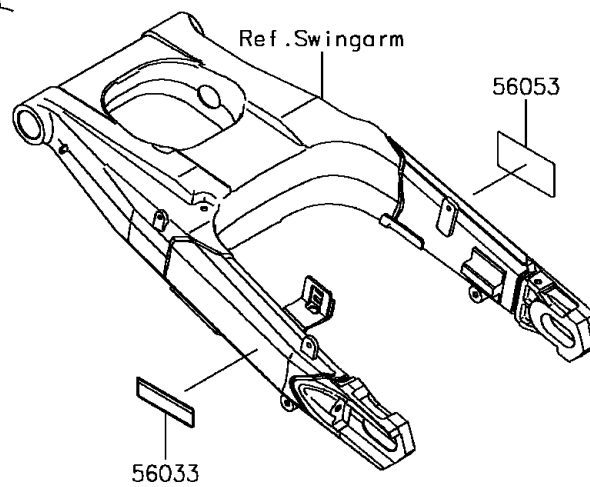
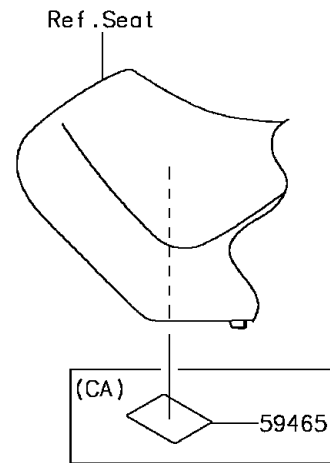
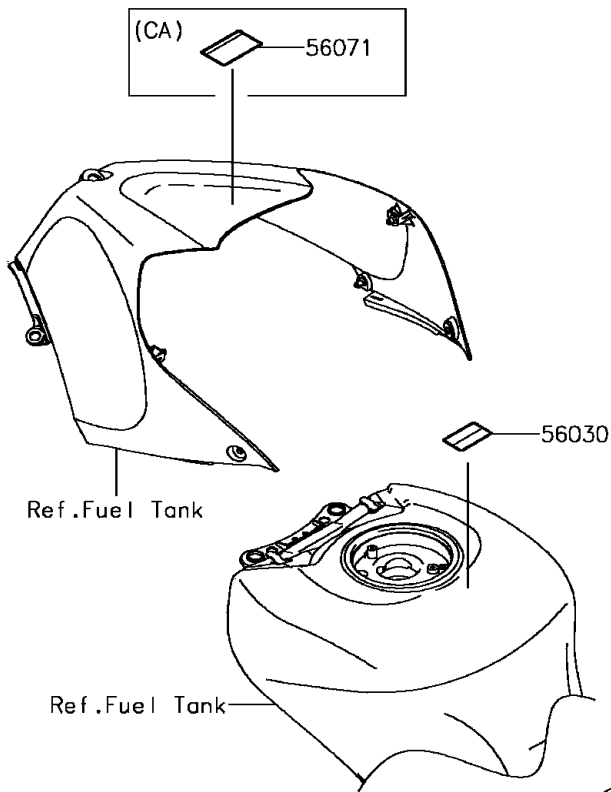
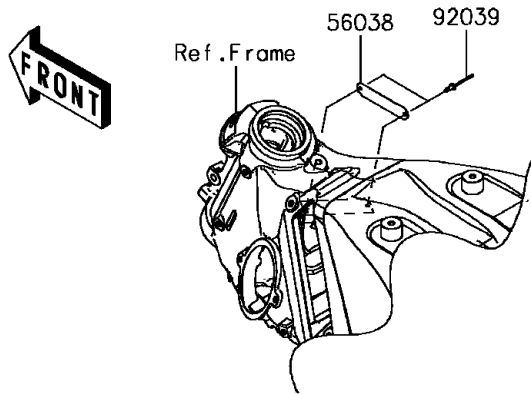


# 2016 Ninja ZX-14R ABS

## PARTS DIAGRAM

### Labels

F2860



# 2016 Ninja ZX-14R ABS

## PARTS LIST

### Labels

ITEM NAME	PART NUMBER	QUANTITY
LABEL,GASOLINE (Ref # 56030)	56030-0357	1
LABEL-MANUAL,CHAIN (Ref # 56033)	56033-0875	1
LABEL-BRAND,KAWASAKI (Ref # 56038)	56038-1054	1
LABEL-SPECIFICATION,TIRE&LOAD (Ref # 56053)	56053-0957	1
LABEL-WARNING,EVAPO (Ref # 56071)	56071-0158	1
LABEL-CERTIFICATION,EVAPO (Ref # 59465)	59465-0855	1
RIVET (Ref # 92039)	92039-1251	2