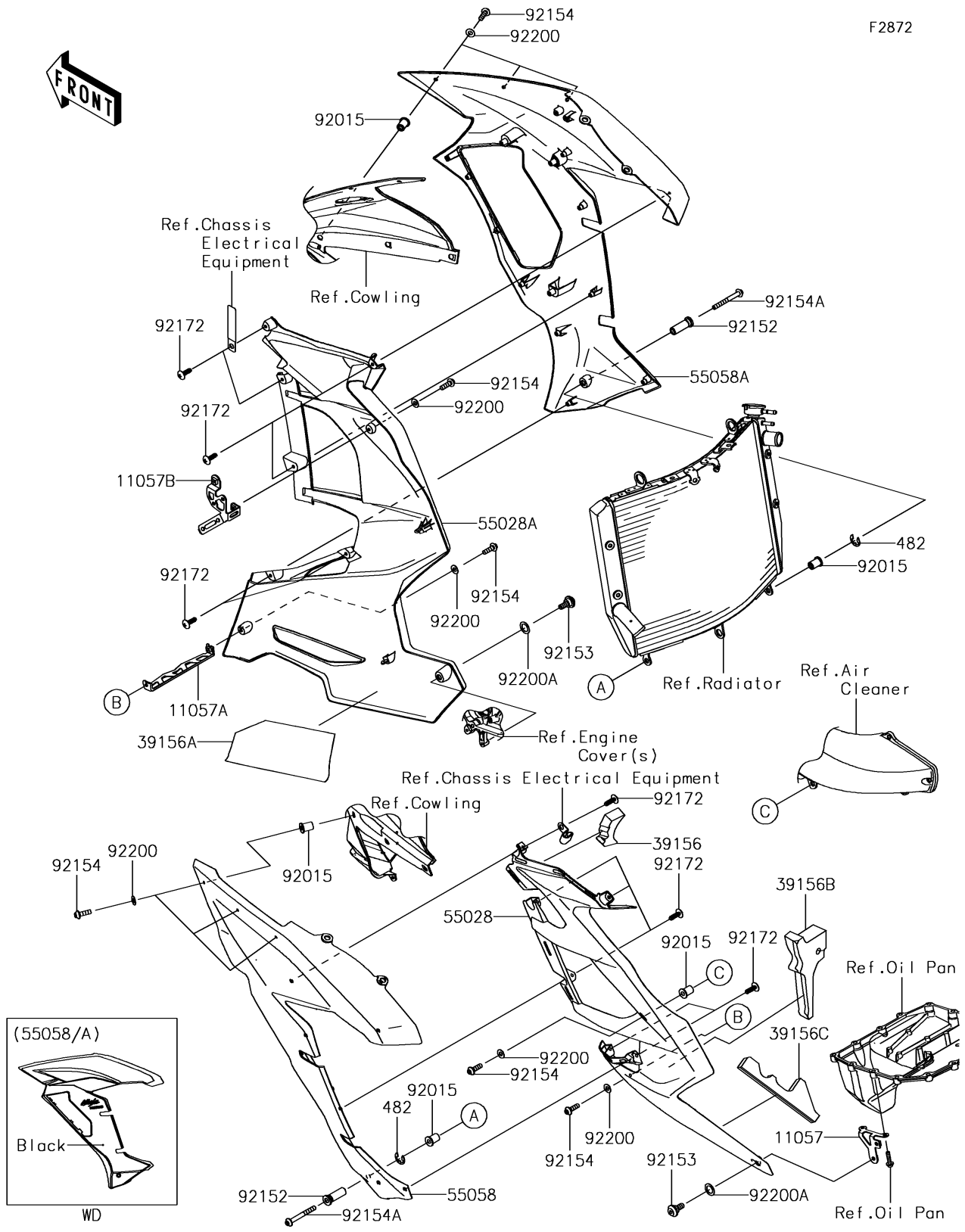


2018 NINJA H2™ SX SE

PARTS DIAGRAM

Cowling Lower



F2872

2018 NINJA H2™ SX SE

PARTS LIST

Cowling Lowers

ITEM NAME	PART NUMBER	QUANTITY
BRACKET,LWR COWL.,RR (Ref # 11057)	11057-1286	1
BRACKET,CONNECTING,LWR (Ref # 11057A)	11057-1287	1
BRACKET,SIDE COWL.,W/ABS PIPE (Ref # 11057B)	11057-1297	1
PAD,DUCT (Ref # 39156)	39156-2255	1
PAD,ADIABATIC,92X231X0.3 (Ref # 39156A)	39156-2334	1
PAD,GENERATOR COVER (Ref # 39156B)	39156-2377	1
PAD,30X60X30 (Ref # 39156C)	39156-2385	1
CIRCLIP-TYPE-E,8MM (Ref # 482)	482EA8000	2
COWLING,SIDE,RR,LH,E.B.GREEN (Ref # 55028)	55028-0651-60R	1
COWLING,SIDE,RR,RH,E.B.GREEN (Ref # 55028A)	55028-0652-60R	1
COWLING,SIDE,FR,LH,M.D.BLACK (Ref # 55058)	55058-5068-17K	1
COWLING,SIDE,FR,RH,M.D.BLACK (Ref # 55058A)	55058-5069-17K	1
NUT,WELL,5MM (Ref # 92015)	92015-1757	9
COLLAR,5.2X9.5X30 (Ref # 92152)	92152-2448	2
BOLT,SOCKET,6MM (Ref # 92153)	92153-0489	2
BOLT,SOCKET,5X16 (Ref # 92154)	92154-0209	10
BOLT,SOCKET,5X45 (Ref # 92154A)	92154-2934	2
SCREW,TAPPING,5X16 (Ref # 92172)	92172-0238	12
WASHER,NYLONE,5.3X11.5X0.5 (Ref # 92200)	92200-0006	10
WASHER,10.4X15.9X0.5 (Ref # 92200A)	92200-0157	2