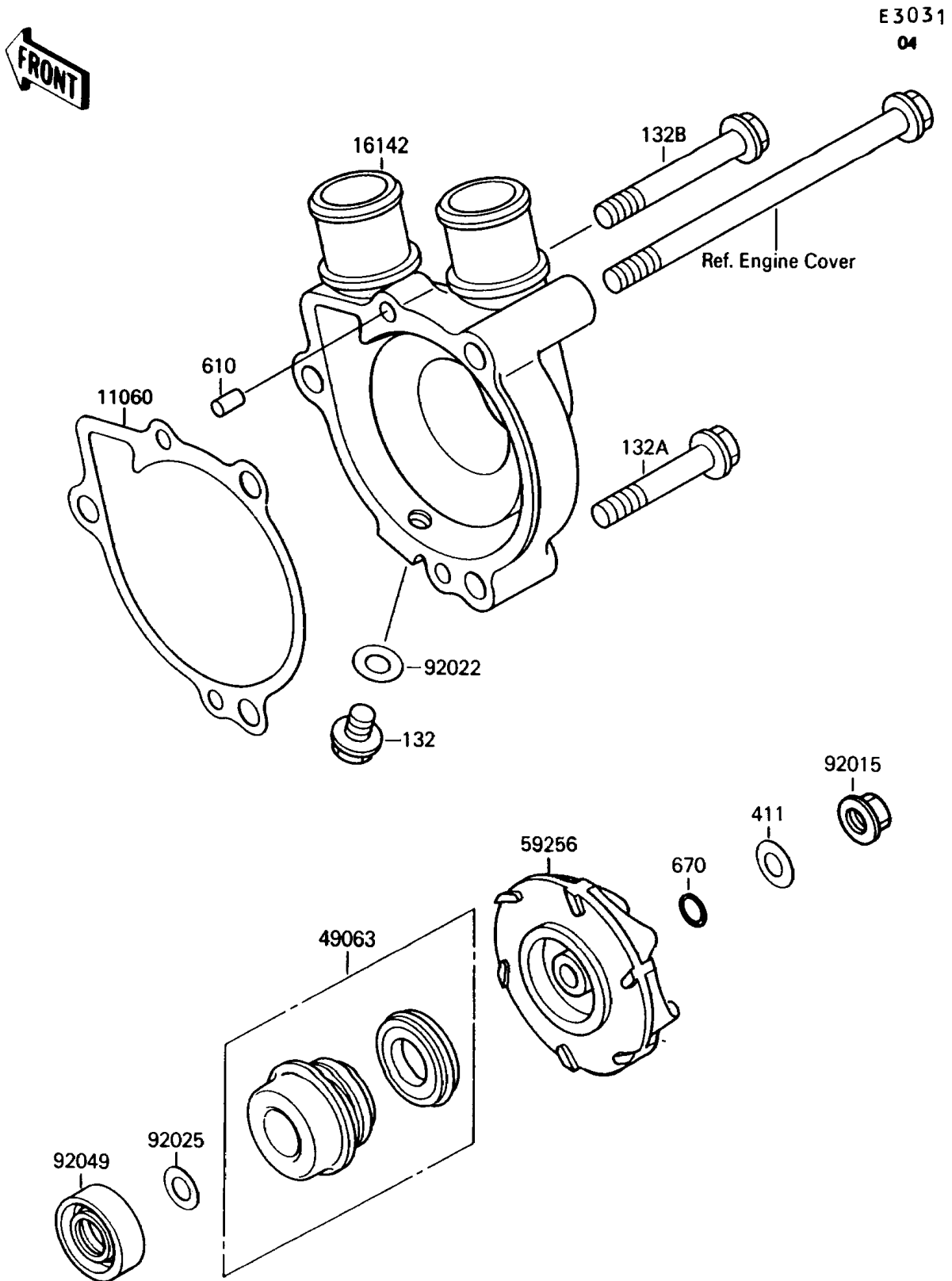


# 1992 Mojave 250

## PARTS DIAGRAM

### Water Pump



# 1992 Mojave 250

## PARTS LIST

### Water Pump

**ITEM NAME**

**PART NUMBER**

**QUANTITY**

---